

Atlas

★ Lighting Products®



WALL LIGHTS ★ FLOOD LIGHTS



CANOPY LIGHTS ★ HIGH BAYS



SUPERIOR VALUE ★ AMERICAN MADE ★ HIGH PERFORMANCE

BUY AMERICAN



COMPLIANT*

TABLE OF CONTENTS INDEPENDENCE SERIES



The **Independence Series** is designed to deliver distributors better value by removing cost – NOT QUALITY. The American made **Independence Series** delivers superior value through changing form and/or function while maintaining performance and hours of life that Atlas has always been known for.

NOT A DEPARTURE – AN EVOLUTION

High Bay Pages 4 - 5



Single Module High Bay pgs 4-5
12,000-30,000 LUMENS



Double Module High Bay..... pgs 4-5
30,000 - 60,000 LUMENS

Vaportite Page 6



Vaportite pg 6
5,000 LUMENS

Low Profile Canopy Page 7



Canopy Lights pg 7
5,000 - 7,000 LUMENS

Wall Lights Pages 8 - 9



Tall Wall Light..... pgs 8-9
2,000 LUMENS



Medium Wall Light..... pgs 8-9
5,000 - 7,000 LUMENS



Small Wall Light..... pgs 8-9
4,000 LUMENS



Large Wall Light..... pgs 8-9
7,000 - 10,000 LUMENS

Flood Lights Pages 10 - 11



Small Flood Light..... pgs 10-11
3,000 - 6,000 LUMENS



Medium Flood Light pgs 10-11
8,000 LUMENS



Burlington, NC



Atlas manufactures a broad line of popular LED fixtures that sell everyday at distributors' counters and on lighting projects. These products have proprietary designs and features that ensure they outperform the competition with higher light output, longer life and greater efficiency.



THE INDEPENDENCE FUND

A portion of the proceeds from every Independence Series product sold will be donated to **The Independence Fund**.

Founded in 2007, **The Independence Fund** is committed to empowering our nation's catastrophically wounded, injured, or ill Veterans to overcome physical, mental, and emotional wounds incurred in the line of duty. We are dedicated to improving the lives of both our Veterans and their families. Through our Mobility, Caregiver, Adaptive Sports, Advocacy, and Family programs, The Independence Fund strives to bridge the gap of unmet needs for Veterans and their caregivers.



12,000 - 60,000 LUMEN
HIGH BAY



SUPERIOR VALUE ★ AMERICAN MADE ★ HIGH PERFORMANCE



CONSTRUCTION:

The ultra compact Independence High Bay's heavy duty construction is made of 14 gauge steel that has a post painted polyester coat finish. The lightweight heat sinks are designed to perform in ambient temperatures up to 50°C. The Quick Wire access panel allows for easy power connection.

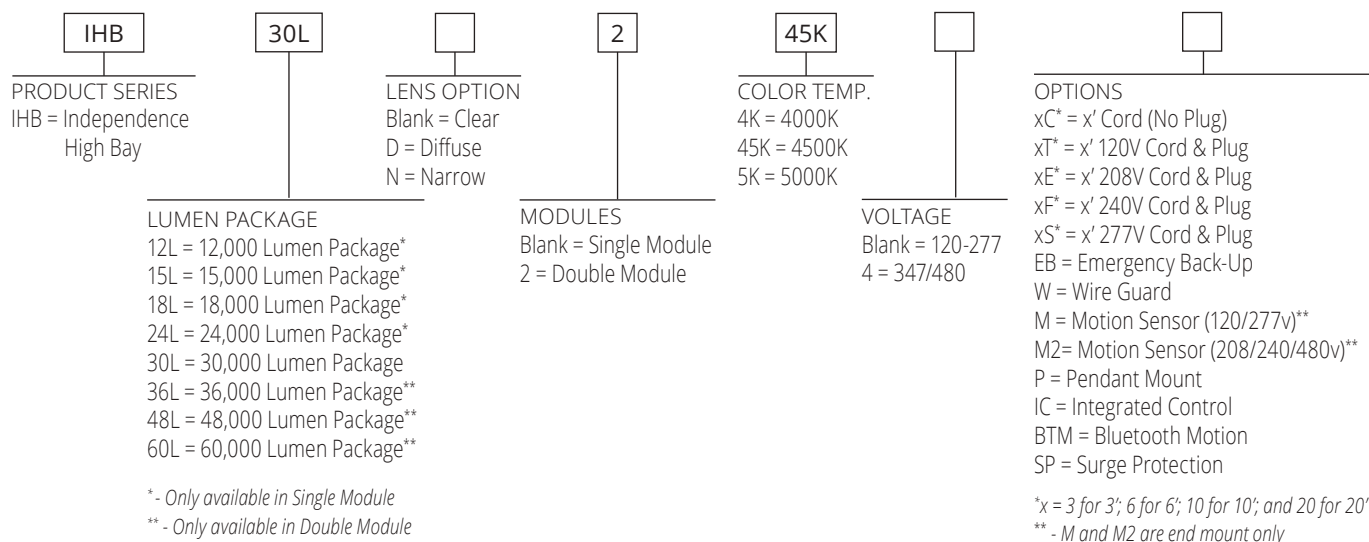
GLARE REDUCTION LENS:

The clear lens is high impact, scratch resistant and protects the LEDs. At the same time it delivers improved visual comfort by eliminating any glare and providing a wider smoother and more uniform light output.

DRIVER:

Constant current, Class 2, 120-277 VAC, 50-60 Hz High Efficiency – min. 88% 0-10 V Dimming

ORDERING FORMAT



PERFORMANCE DATA

UNIT	MODULES	CRI	4000K CCT		4500K CCT		5000K CCT		WATTAGE	REPLACES UP TO
			DELIVERED LUMENS	EFFICACY (LPW)	DELIVERED LUMENS	EFFICACY (LPW)	DELIVERED LUMENS	EFFICACY (LPW)		
SELECTABLE										
Clear Lens										
12L-24L	Single	80	12,967	158	12,967	158	13,011	157	83	400W MH
	Single	80	19,045	152	19,045	152	19,110	153	125	
	Single	80	23,843	146	23,843	146	23,924	147	163	
15L-30L	Single	80	14,135	158	14,135	158	14,435	158	90	400W MH
	Single	80	21,037	152	21,037	152	21,483	156	138	
	Single	80	27,560	145	27,560	145	28,145	148	190	
Diffused Lens										
12L-24L	Single	80	11,587	141	11,523	139	11,523	139	83	400W MH
	Single	80	16,954	136	16,860	135	16,860	135	125	
	Single	80	21,281	132	21,163	131	21,163	131	162	
15L-30L	Single	80	12,931	144	12,931	144	13,241	145	90	400W MH
	Single	80	19,317	140	19,317	140	19,780	143	138	
	Single	80	25,353	133	25,353	133	25,961	136	190	
Narrow Lens										
15L-30L	Single	80	13,463	150	13,463	150	13,721	150	90	400W MH
	Single	80	20,006	145	20,006	145	20,389	147	138	
	Single	80	26,318	138	26,318	138	26,822	141	190	
FIXED										
Clear Lens										
IHB12L	Single	80	12,528	152	12,528	159	12,597	160	83	175W MH
IHB15L	Single	80	16,144	154	16,144	152	16,513	157	105	250W MH
IHB18L	Single	80	18,597	153	18,597	153	19,022	156	122	250W MH
IHB24L	Single	80	23,910	148	23,899	148	23,899	148	162	400W MH
IHB30L	Single	80	29,550	159	29,550	159	30,370	166	186	400W MH
IHB30L2	Double	80	28,347	160	28,347	160	29,134	165	177	400W MH
IHB36L2	Double	80	37,194	153	37,194	153	38,044	156	244	1000W MH
IHB48L2	Double	80	47,820	148	47,798	148	47,798	148	324	1000W MH
IHB60L2	Double	80	59,100	159	59,100	159	60,740	166	371	1000W MH
IHB72L3	Triple	80	71,730	148	71,697	148	71,697	148	485	1000W MH
IHB90L3	Triple	80	88,650	159	88,650	159	91,110	166	557	1500W MH
Diffused Lens										
IHB12LD	Single	80	11,358	138	11,358	138	11,421	139	82	175W MH
IHB15LD	Single	80	14,567	140	14,567	140	14,949	143	105	250W MH
IHB18LD	Single	80	16,767	137	16,767	137	17,207	141	122	250W MH
IHB24LD	Single	80	21,506	133	21,404	136	21,404	136	162	400W MH
IHB30LD	Single	80	26,470	143	26,470	143	27,343	149	185	400W MH
IHB30LD2	Double	80	25,537	145	25,537	145	26,379	149	177	400W MH
IHB36LD2	Double	80	33,534	137	33,534	137	34,414	141	244	1000W MH
IHB48LD2	Double	80	43,012	133	42,808	136	42,808	136	323	1000W MH
IHB60LD2	Double	80	52,940	143	52,940	143	54,686	149	371	1000W MH
IHB72LD3	Triple	80	64,518	133	64,212	133	64,212	133	486	1000W MH
IHB90LD3	Triple	80	79,410	143	79,410	143	82,029	149	557	1500W MH
Narrow Lens										
IHB12LN	Single	80	11,089	143	11,089	143	11,501	145	79	175W MH
IHB15LN	Single	80	14,652	140	14,652	140	15,196	145	105	250W MH
IHB18LN	Single	80	16,766	138	16,766	138	17,389	143	122	250W MH
IHB24LN	Single	80	21,363	132	21,363	132	21,491	133	162	400W MH
IHB30LN	Single	80	26,488	143	26,488	143	27,097	148	185	400W MH
IHB30LN2	Double	80	25,400	144	25,400	144	25,552	145	177	400W MH
IHB36LN2	Double	80	33,532	138	33,532	138	34,778	143	243	1000W MH
IHB48LN2	Double	80	42,726	132	42,726	132	42,982	133	324	1000W MH
IHB60LN2	Double	80	52,976	143	52,976	143	54,194	148	371	1000W MH
IHB72LN3	Triple	80	64,089	132	64,089	132	64,473	133	486	1000W MH
IHB90LN3	Triple	80	79,464	143	79,464	143	81,291	148	556	1500W MH

*Qualifies for Buy American under ARRA

*The majority of Atlas Lighting Products are assembled in USA facilities by an American Workforce utilizing both Domestic and Foreign components

5,000 LUMEN VAPORTITE

SUPERIOR VALUE ★ AMERICAN MADE ★ HIGH PERFORMANCE



CONSTRUCTION:

The Independence Vaportite has a 1-piece housing that is made of durable composite material. The poured gasket provides a continuous seal for the lens. Twelve latches compress lens to housing for a tight seal. Stainless steel mounting brackets are furnished with each fixture.

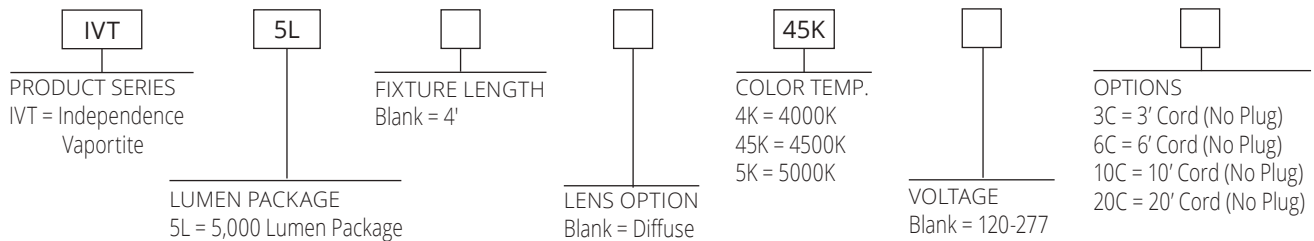
LENS:

Injection molded acrylic lens with high impact additive. Lens is frosted to eliminate glare..

DRIVER:

Constant current, Class 2, 120-277 VAC, 47-63Hz High Efficiency – min. 85% 0-10 V Dimming

ORDERING FORMAT



PERFORMANCE DATA

UNIT	CRI	4000K CCT			4500K CCT			5000K CCT		
		Delivered Lumens	Efficacy (LPW)	Wattage	Delivered Lumens	Efficacy (LPW)	Wattage	Delivered Lumens	Efficacy (LPW)	Wattage
IVT5L	80	5,010	148	34	4,849	143	34	4,849	143	34



*Qualifies for Buy American under ARRA

*The majority of Atlas Lighting Products are assembled in USA facilities by an American Workforce utilizing both Domestic and Foreign components



5,000 - 7,000 LUMEN LOW PROFILE CANOPY

SUPERIOR VALUE ★ AMERICAN MADE ★ HIGH PERFORMANCE



CONSTRUCTION:

Designed for commercial and industrial applications, providing cooler operating temperatures, brighter light and longer LED life. Apertures for continuous wiring. Housing is hinged for quick and easy mounting and entrance..

ZERO GLARE:

Using the latest high brightness, high LED count technology, more usable light output is produced while eliminating glare. The high transmission lens, with 91% efficiency, is high impact, scratch resistant and protects the LEDs. At the same time, it delivers improved visual comfort by eliminating any glare and providing a wider smoother and more uniform light output.

DRIVER:

Constant current, Class 2, 120-277 VAC, 50-60 Hz High Efficiency – min. 88% 0-10 V Dimming

ORDERING FORMAT

LPC	5L	45K	□	□	□
PRODUCT SERIES LPC = Independence Canopy Series	LUMEN PACKAGE 5L = 5,000 Lumens 7L = 7,000 Lumens	COLOR TEMP. 4K = 4000K 45K = 4500K 5K = 5000K	CONTROLS Blank = Dimming (0-10V)	VOLTAGE Blank = 120-277	COLOR Blank = Bronze WT = White* BK = Black* <i>*optional with adder</i>

PERFORMANCE DATA

UNIT	CRI	4000K CCT			4500K CCT			5000K CCT		
		Delivered Lumens	Efficacy (LPW)	Wattage	Delivered Lumens	Efficacy (LPW)	Wattage	Delivered Lumens	Efficacy (LPW)	Wattage
LPC5L	80	5100	142.74	36.17	5100	142.74	36.17	5101	142.89	36.19
LPC7L	80	7030	134.34	52.33	7001	133.69	52.37	7001	133.69	52.37



*Qualifies for Buy American under ARRA

*The majority of Atlas Lighting Products are assembled in USA facilities by an American Workforce utilizing both Domestic and Foreign components

2,000 - 10,000 LUMEN WALL LIGHTS

SUPERIOR VALUE ★ AMERICAN MADE ★ HIGH PERFORMANCE



CONSTRUCTION:

Rugged Traditional aluminum die cast housing provides proven environmental protection for LED modules. Traditional fixture designs provide a familiar look and standard installation requirements.

GLARE REDUCTION LENS:

Positioning of the LED modules combined with the unique design of the lens assembly results in light being directed to desired locations and reduces offensive light.

DRIVER:

Constant current, Class 2, 120-277 VAC, 50-60 Hz High Efficiency – min. 88% 0-10 V Dimming

INSTALLATION:

Fixture retains the same knock-out sizes and positions as previous models, reducing wiring costs.

ORDERING FORMAT

WM	5L	45K	□	□	□	□
PRODUCT SERIES W = Tall Wall Light WSG = Small Wall Light WM = Medium Wall Light WD = Large Wall Light	LUMEN PACKAGE 2L = 2,000 Lumens ¹ 4L = 4,000 Lumens ² 5L = 5,000 Lumens ³ 7L = 7,000 Lumens ^{3,4} 10L = 10,000 Lumens ^{3,4}	COLOR TEMP. 3K = 3000K 4K = 4000K 45K = 4500K 5K = 5000K	CONTROLS Blank = Dimming (0-10V) PC = 120V Photocontrol PM = 208-277V Photocontrol BTM = Blue Tooth Microwave ^{3,4} <i>includes photocontrol</i>	VOLTAGE Blank = 120-277 4 = 480V ^{3,4}	COLOR Blank = Bronze WT = White* BK = Black* <i>*optional with adder - not available on W Series</i>	OPTIONS EB = Emergency Back-Up ^{3,4}



*W2L is not DLC Qualified | *Qualifies for Buy American under ARRA

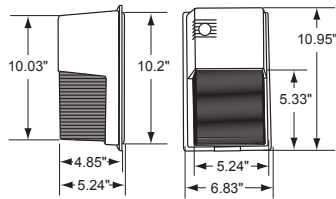
*The majority of Atlas Lighting Products are assembled in USA facilities by an American Workforce utilizing both Domestic and Foreign components

PERFORMANCE DATA

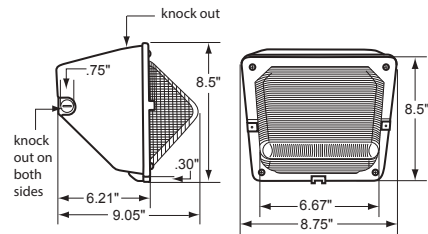
UNIT	CRI	3000K CCT		4000K CCT		4500K CCT		5000K CCT		WATTAGE	REPLACES
		Delivered Lumens	Efficacy (LPW)	Delivered Lumens	Efficacy (LPW)	Delivered Lumens	Efficacy (LPW)	Delivered Lumens	Efficacy (LPW)		
W2L	80	n/a	n/a	2,283	112	2,133	110	2,285	112	21	50-100W MH
WSG4L	80	3,913	125	3,913	125	3,913	125	4,044	130	31	50-100W MH
WM5L	80	4,900	128	5,036	132	4,900	128	5,071	132	38	100-175W MH
WM7L	80	7,051	117	7,229	121	7,229	121	7,349	122	60	250-400W MH
WM10L	80	n/a	n/a	10,500	135	10,500	135	10,520	135	78	250-400W MH
WD7L	80	6,046	114	6,933	124	6,933	124	6,933	124	56	250-400W MH
WD10L	80	9,958	122	9,958	122	9,958	122	9,958	122	82	250-400W MH

DIMENSIONS

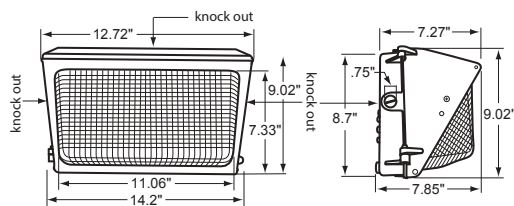
W - TALL WALL LIGHT



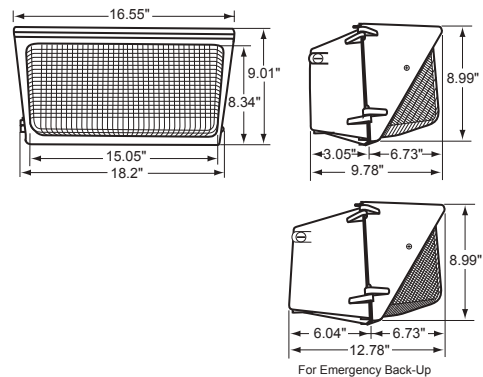
WSG - SMALL WALL LIGHT



WM - MEDIUM WALL LIGHT



WD - LARGE WALL LIGHT



3,000 - 8,000 LUMEN FLOOD LIGHTS



SUPERIOR VALUE ★ AMERICAN MADE ★ HIGH PERFORMANCE



CONSTRUCTION:

This compact but powerful flood light is a true innovation combining practicality and aesthetics. With a highly efficient LED driver and precise optical control, greater lighting performance adds value to its exterior appearance. These LED lights have transformed the landscape lighting environment. Utilizing performance optics and long lasting driver, these landscape lights will last for years to come.

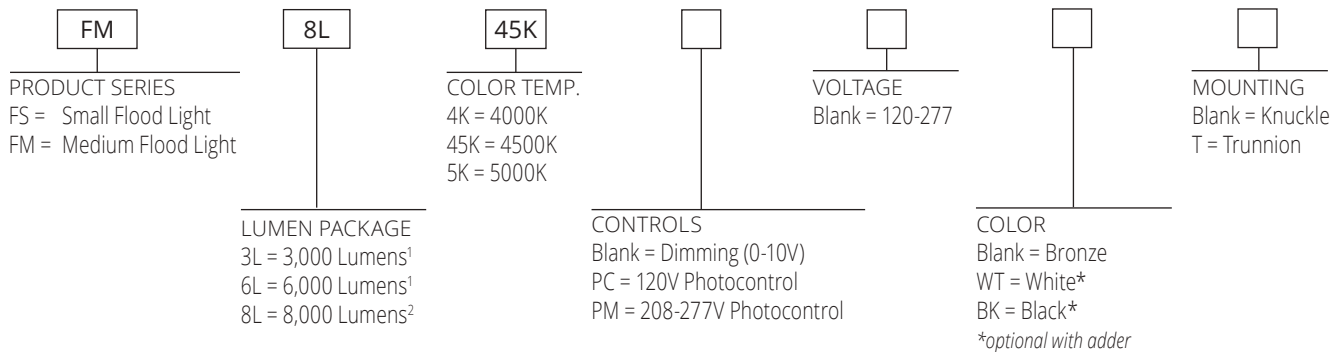
OPTICS:

Atlas Independence flood lights utilize individual lenses for maximum light intensity. These lenses are made of optical grade acrylic. This guarantees more footcandles, less glare and less wasted light.

DRIVER:

Constant current, Class 2, 120-277 VAC, 50-60 Hz High Efficiency – min. 88% 0-10 V Dimming

ORDERING FORMAT



¹FS Series only

²FM Series only



*Qualifies for Buy American under ARRA

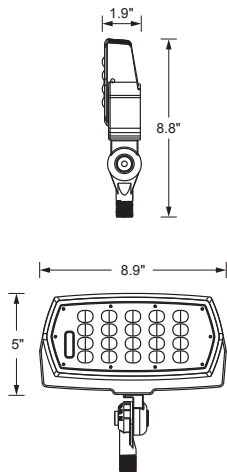
*The majority of Atlas Lighting Products are assembled in USA facilities by an American Workforce utilizing both Domestic and Foreign components

PERFORMANCE DATA

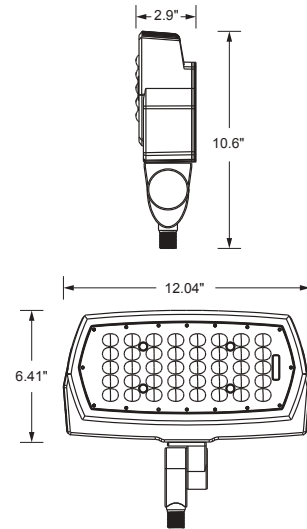
UNIT	CRI	4000K CCT			4500K CCT			5000K CCT		
		Delivered Lumens	Efficacy (LPW)	Wattage	Delivered Lumens	Efficacy (LPW)	Wattage	Delivered Lumens	Efficacy (LPW)	Wattage
FS3L	80	3,644	128.99	28.26	3,463	127.44	27.20	3,463	127.44	27.20
FS6L	80	5,992	122.82	48.79	5,765	121.05	47.63	5,765	121.05	47.63
FM8L	80	8,850	125.81	70.34	8,775	128.33	68.38	8,775	128.33	68.38

DIMENSIONS

FS - SMALL FLOOD LIGHT



FM - MEDIUM FLOOD LIGHT



**ALSO AVAILABLE
WITH TRUNNION
MOUNT**



PO BOX 2348 BURLINGTON, NC 27216
1406 S. MEBANE STREET BURLINGTON, NC 27215
800-849-8485 | FAX 1-855-847-2794
WWW.ATLASLED.COM

452-259 040124



Scan **QR CODE**
to visit our website

CONNECT WITH US

