



Commercial Downlights New Construction Plate for Stud/Joist Ceilings

PROJECT INFORMATION

JOB NAME	
FIXTURE TYPE	Plate for Stud/Joist Ceilings
CATALOG NUMBER	CDLSJP
APPROVED BY	

SPECIFICATIONS

Construction:

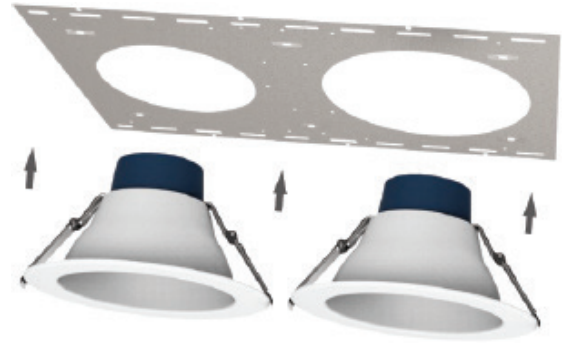
- 24 Gauge Galvanized Steel

Specifications:

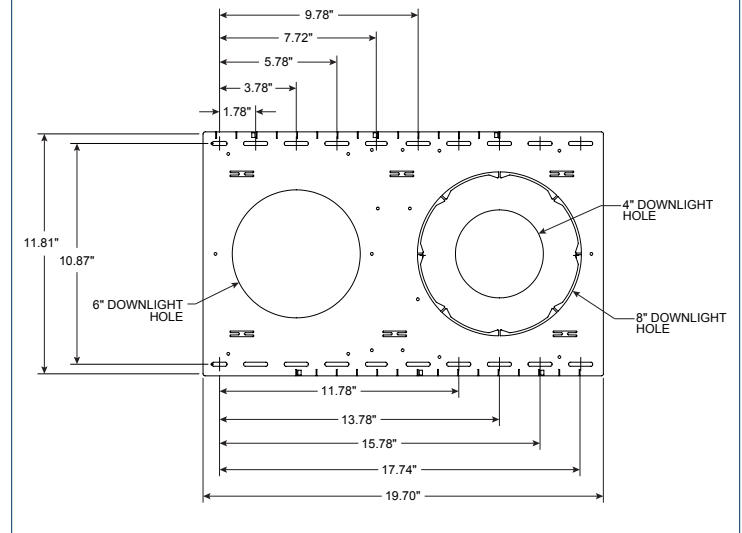
- Length: 19.70" (50.04 cm)
- Width: 11.81" (30 cm)

Warranty:

- Five-year limited warranty



DIMENSIONS



ORDERING INFORMATION

CATALOG #	DESCRIPTION	STD. PKG.
CDLSJP	New Construction Plate for Stud/Joist Ceilings	1