



origin
BY ATLAS
LIGHTING

VAPOR PROOF LED FIXTURE

• INSTALLATION INSTRUCTION •

The Origin Vapor Proof LED light is designed with a steel cage, ensuring safety. It is IP65 rated for both dry and wet locations. The mounting is designed to work with the majority of electrical boxes. The 90-180 degree adjustable angle allows it to fit multiple applications, such as vertical and horizontal installations as well as sloped ceilings.

IMPORTANT SAFETY NOTICES:

When using electrical equipment, basic safety precautions should always be followed

WARNING: Operating temperature: -40°C to 45°C (-40°F to 113°F).

WARNING: Suitable for dry and wet locations.

WARNING: This device is not intended for use with emergency exits.

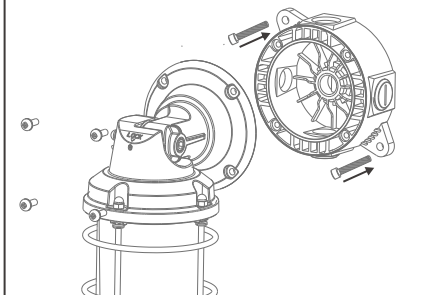
WARNING: Turn off the power before installation.

WARNING: The electrical rating of this product is 100-277V. Installer must confirm that there is 100-277V at the fixture before installation.

THE FIRST INSTALL METHOD

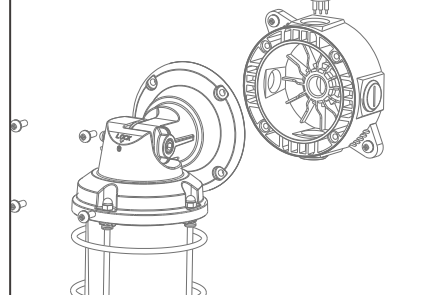
STEP:1

Drill two holes and
install the lamp base



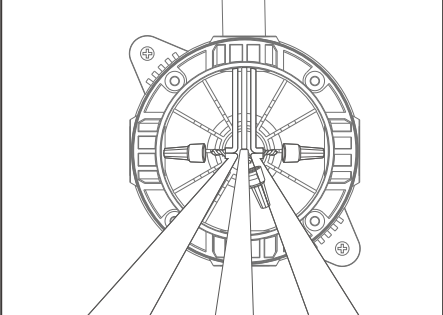
STEP:2

Insert the wire pipe

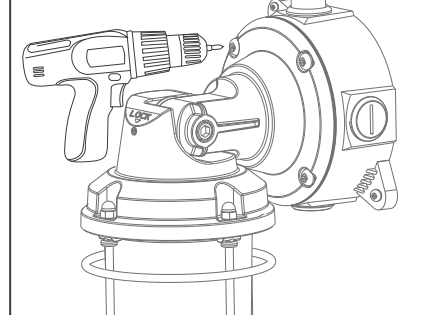


STEP:3

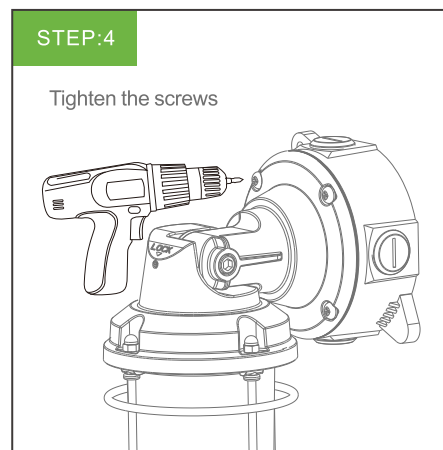
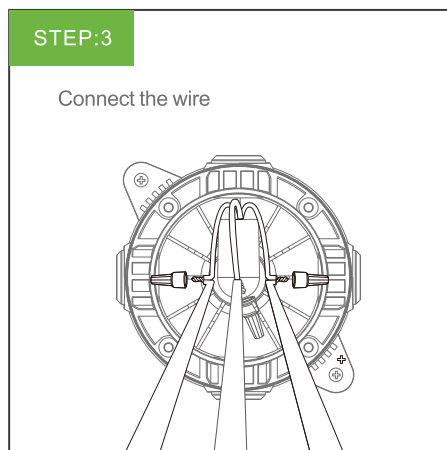
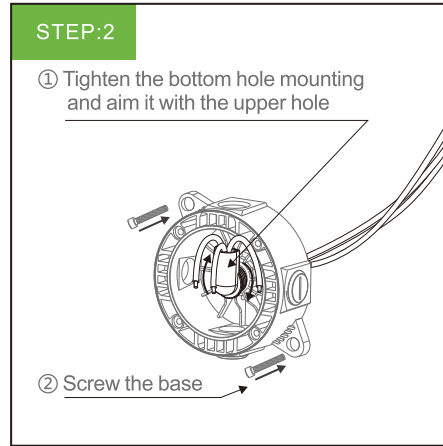
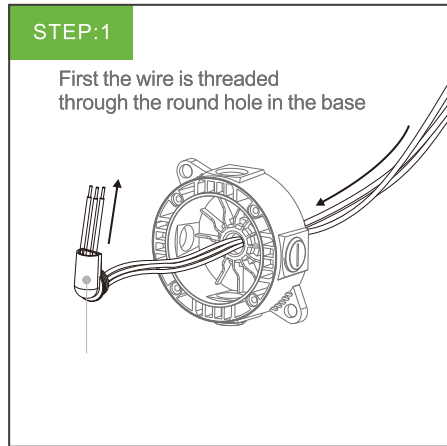
Connect the cable



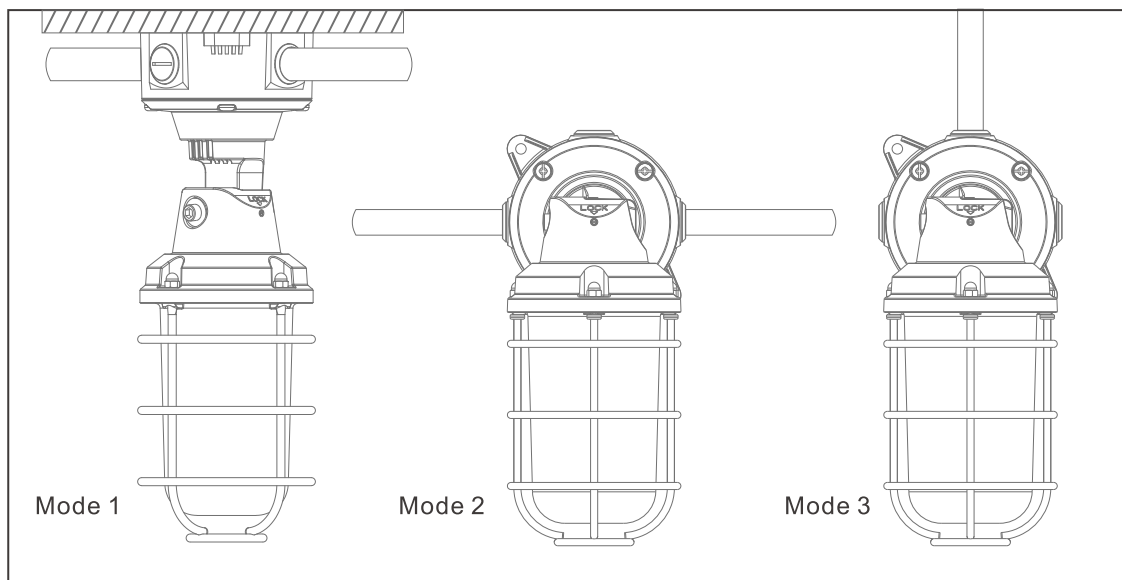
STEP:4



THE SECOND INSTALL METHOD



DIFFERENT INSTALLATION ORIENTATIONS



BASIC PARAMETERS:

Watt	Input	Light effect	Lamp Dimension (180°)	Lamp Dimension (90°)	Operating temperature
20W	100-277 Vac	100lm/w	115x305mm	157x257mm	-30~45°C
30W	100-277 Vac	100lm/w	115x305mm	157x257mm	-30~45°C