



WLD Face Frame Assembly

PROJECT INFORMATION

JOB NAME	
FIXTURE TYPE	WLD Face Frame Assembly
CATALOG NUMBER	210-011
APPROVED BY	

SPECIFICATIONS

Construction:

- Durable die cast aluminum construction
- Threaded apertures for conduit and photo control
- Borosilicate glass lens
- For use with Atlas WLD Series fixtures

Specifications:

- Overall height: 9.01" (22.88 cm)
- Width: 18.2" (46.21 cm)

Warranty:

- Five-year limited warranty

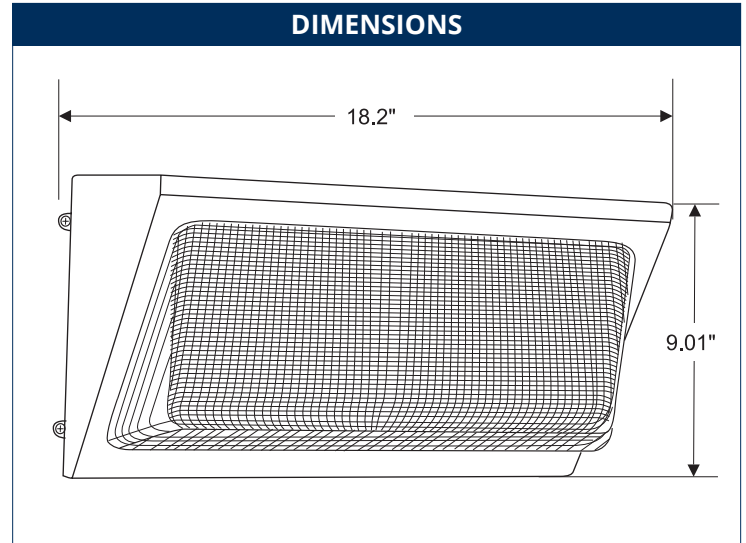


BUY AMERICAN



COMPLIANT*

DIMENSIONS



ORDERING INFORMATION

CATALOG #	DESCRIPTION	FINISH	STD. PKG.
210-011	WLD Face Frame Assembly	Bronze	1