



208-277V Photocontrol

PROJECT INFORMATION

JOB NAME	
FIXTURE TYPE	208-277V Photocontrol
CATALOG NUMBER	230-008LED
APPROVED BY	

SPECIFICATIONS

Description:

- The electronic "button type" photocontrol has the same features and performance of electronic twist-lock photocontrols. Energy efficiency is maintained with tight On/Off ratios and "non-drift operation". Maintenance costs are reduced through a cool running DC circuit. Life expectancy is up to three times longer than traditional heat generating thermal relay designs.

Features:

- Meets or exceeds ANSI C136.10.
- Proven DC circuit design.
- Close 1:1.5 on to off operating ratio.
- Non-chatter load break.
- Surge Protected Electronic Circuit.
- Heavy duty construction.

Mechanical Specifications:

- Housing: UV stabilized, impact resistant thermal plastic
- Window: UV inhibitive and absorbing acrylic
- Lead Wires: #18 AWG, 9" long
- Packaging: Individual units are sealed in water resistant plastic
- Weight: 3.0 oz. each
- Size: 2.05"H x 2.1"W x 1.3"D

Load Rating:

- 1000 Watt tungsten, 1800 VA | 600VA LED

Life at rated load:

- 5,000 Operations (13.7 Years)

Power Consumption:

- 1.6 watts average @ 208 volts
- 1.9 watts average @ 240 volts
- 2.1 watts average @ 277 voltss

Standard Surge Protections:

- 90 Joule
- 160 Joule

Operating Light Levels:

- ON: 1-5 fc | OFF: 3-15 fc

Photosensor:

- Conformally coated cadmium sulfide photocell
- Encapsulated phototransistor

Dielectric Strength:

- 5,000 Volts between any current carrying part

Ambient Temperature Range:

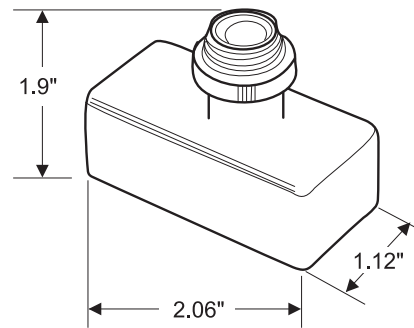
- 40°C to +70°C (-40°F to + 140°F)

Warranty:

- One-year limited warranty



DIMENSIONS



ORDERING INFORMATION

CATALOG #	DESCRIPTION
230-008LED	208-277V Photocontrol