



## Sports Lighting Bracket Pole Bracket

### PROJECT INFORMATION

JOB NAME	
FIXTURE TYPE	Sports Light Pole Bracket
CATALOG NUMBER	500-003G
APPROVED BY	

### SPECIFICATIONS

#### Construction:

- Steel

#### Overall Width:

- 96" (243.84 cm)

#### Weight:

- 93 lbs (42.18 kg)

#### EPA: 4.5

#### Warranty:

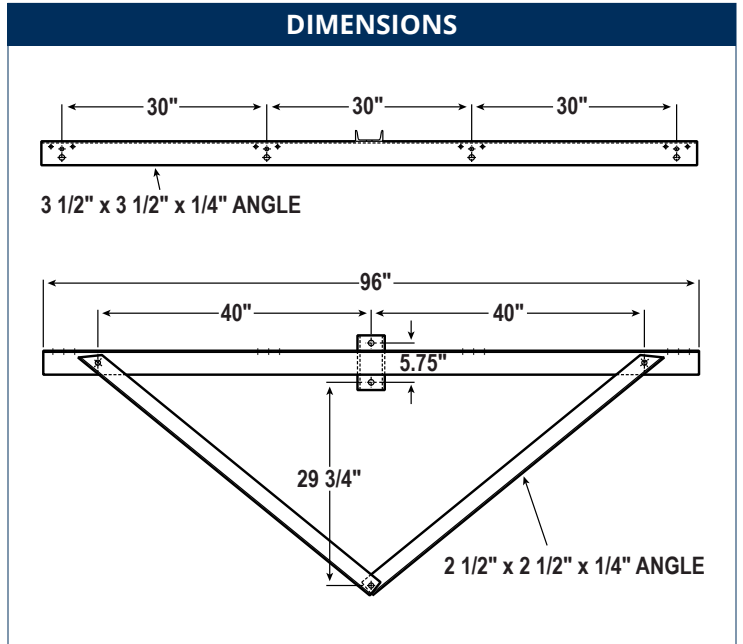
- Five-year limited warranty

#### Mounting:

- For wood and steel pole mounting
- Minimum pole diameter for mounting is 4"
- Mounting hardware not included



### DIMENSIONS



### ORDERING INFORMATION

CATALOG #	DESCRIPTION	FINISH
500-003G	4 Light Bracket	Galvanized