



Sports Lighting Bracket Pole Bracket

PROJECT INFORMATION

JOB NAME	
FIXTURE TYPE	Sports Light Pole Bracket
CATALOG NUMBER	500-005G
APPROVED BY	

SPECIFICATIONS

Construction:

- Steel

Overall Width:

- 156" (396.24 cm)

Weight:

- 239 lbs (108.41 kg)

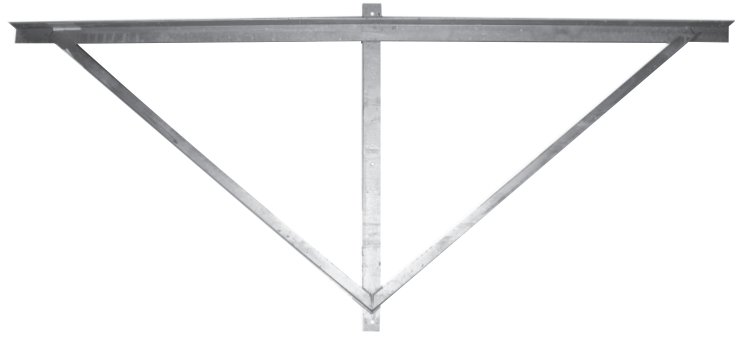
EPA: 8.9

Warranty:

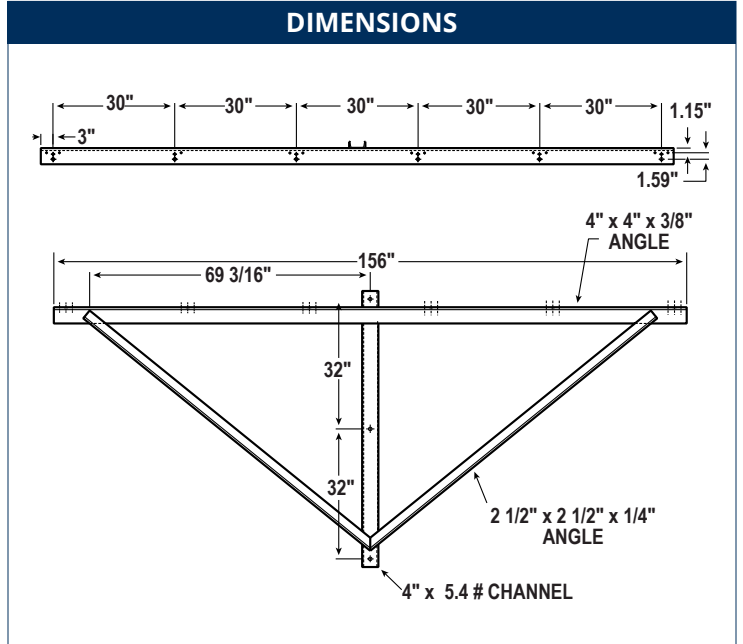
- Five-year limited warranty

Mounting:

- For wood and steel pole mounting
- Minimum pole diameter for mounting is 4"
- Mounting hardware not included



DIMENSIONS



ORDERING INFORMATION

CATALOG #	DESCRIPTION	FINISH
500-005G	6 Light Bracket	Galvanized