



# Flood Lighting Bracket

## Single Flood Light Bracket

### PROJECT INFORMATION

JOB NAME	
FIXTURE TYPE	Single Flood Light Bracket
CATALOG NUMBER	500-007G
APPROVED BY	

### SPECIFICATIONS

**Construction:**

- Steel

**Mounting:**

- Wood Pole Mount

**Weight:**

- 15 lbs. / 6.80 kg.

**Overall Height:**

- 23" (58.42 cm)

**Overall Depth:**

- 18" (45.72 cm)

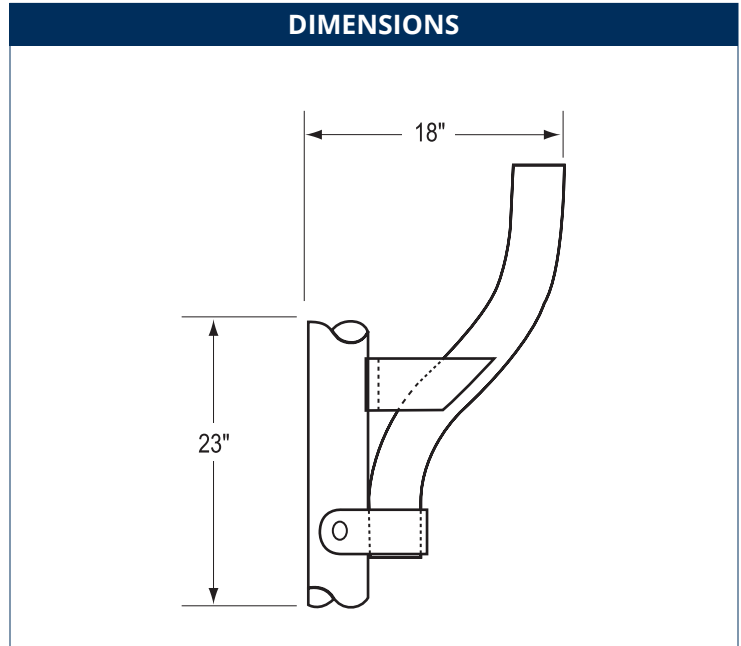
**Warranty:**

- Five-year limited warranty

NOTE: The weight limit for the 500-007G is 105 lbs



### DIMENSIONS



### ORDERING INFORMATION

CATALOG #	DESCRIPTION	FINISH	WT / LBS
500-007G	Single Flood Light Bracket	Galvanized	15