



Flood Lighting Bracket Tenon Adapter for Round Poles

PROJECT INFORMATION

JOB NAME	
FIXTURE TYPE	Tenon Adapter for Round Poles
CATALOG NUMBER	865300
APPROVED BY	

SPECIFICATIONS

Construction:

- Steel
- Bronze Powder Coat

Mounting:

- Round Poles

Weight:

- 8 lbs. / 3.63 kg.

Overall Width:

- 5.5" (13.97 cm)

Warranty:

- Five-year limited warranty

NOTE:

1. 5.25" ID SEAMLESS TUBING (STEEL)
2. 2" ID SCH. 40 STEEL PIPE
3. WIREWAY HOLE 1.5
4. 3/8-16 HEX BOLTS INSTALLED (6 PLCS)



DIMENSIONS

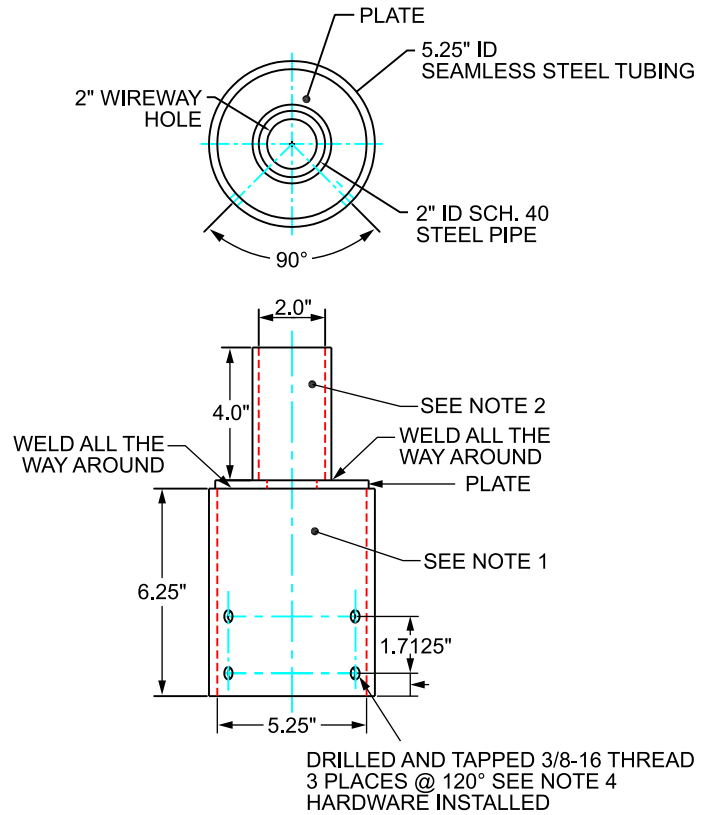
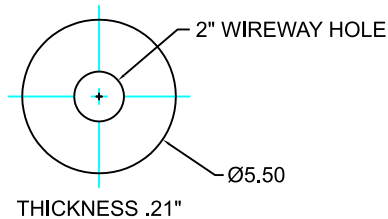


PLATE DETAIL



1. PLATE IS WELDED TO 2" ID PIPE ON THE TOP
2. PLATE IS WELDED TO 5.250" ID TUBE ON THE BOTTOM

ORDERING INFORMATION

CATALOG #	DESCRIPTION	FINISH	WT / LBS
865300	5-1/4" Tenon Adapter for Round Poles	Bronze	8