



**Origin Series**  
Selectable LED Bollard

**PROJECT INFORMATION**

JOB NAME	
FIXTURE TYPE	Selectable Bollard
CATALOG NUMBER	BLS1-3L
APPROVED BY	

**SPECIFICATIONS**

**Construction:**

This heavy-duty bollard features an aluminum housing that is powder coated with a polycarbonate lens.

Anchor bolts included with the fixture.

**Listings:**

Luminaire is certified to UL/cUL Standards for Wet Locations

DesignLights Consortium qualified. All are eligible for rebates from DLC member utilities.

**Electrical:**

120-277 V, 50-60 Hz

Driver Efficiency – min. 85%

O-State Power: 0 Watts

0-10 V Dimming

Photocontrol Standard (on/off capable)

**LEDs:**

Selectable CCTs: 3000K, 4000K and 5000K

**Testing:**

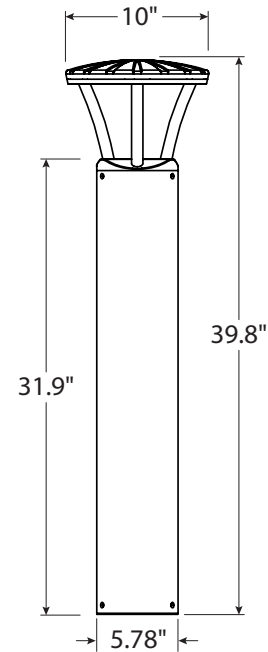
Atlas LED luminaires have been tested by an independent laboratory in accordance with IESNA LM-79 & LM-80.

**Warranty:** Five-year limited warranty

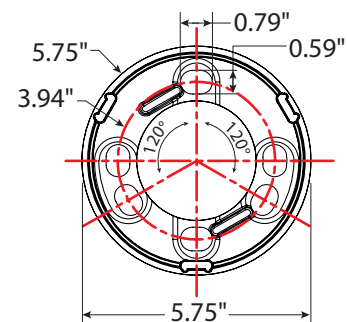


**DIMENSIONS**

Weight: 11.3 lbs.



**MOUNTING DETAIL**



Rebates and Incentives are available in many areas. Contact an Atlas Representative for more information.



**Origin Series**  
Selectable LED Bollard

**ORDERING INFORMATION**

BL	S	1-3L					
PRODUCT SERIES	SELECTABLE	LUMEN PACKAGE	VOLTAGE	COLOR RENDERING	COLOR TEMP.	CONTROLS	FIXTURE COLOR
BL= LED Bollard	S = Selectable	1-3L = 1,000 - 3,000 Lumens Selectable	Blank = 120-277	Blank = 80+ CRI	blank = Selectable 3000K,4000K, 5000K 3K = 3000K, Dark Sky Compliant Fixture	Blank = with Photocontrol LP = Less Photocontrol	Blank = Bronze

**PERFORMANCE DATA**

UNIT	CRI	3000K CCT		4000K CCT		5000K CCT		WATTAGE
		DELIVERED LUMENS	EFFICACY (LPW)	DELIVERED LUMENS	EFFICACY (LPW)	DELIVERED LUMENS	EFFICACY (LPW)	
1-3L	80	1,296	123	1,341	130	1,304	125	10
		2,543	125	2,631	131	2,559	127	20
		3,480	119	3,601	125	3,502	121	30
1-3L3K	80	1,296	123	n/a	n/a	n/a	n/a	10
		2,543	125	n/a	n/a	n/a	n/a	20
		3,480	119	n/a	n/a	n/a	n/a	30

**DLC PRODUCT INFORMATION:**

UNIT	DLC Product ID	Classification
BLS1-3L	S-RHFBDR	Premium