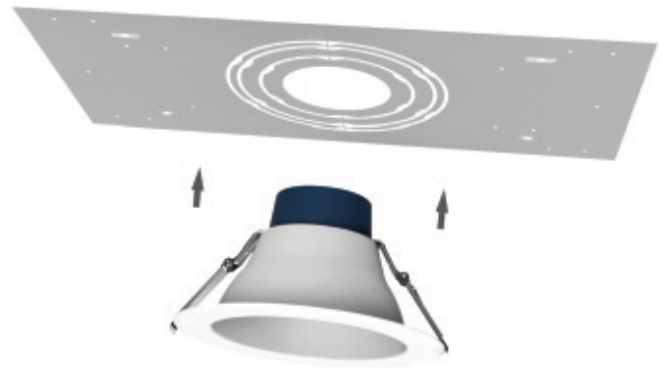




Commercial Downlights
 New Construction or Remodel
 Plate for T-grid Ceilings



PROJECT INFORMATION

JOB NAME	
FIXTURE TYPE	Plate for T-grid Ceilings
CATALOG NUMBER	CDLTGP
APPROVED BY	

SPECIFICATIONS

Construction:

- 24 Gauge Galvanized Steel

Specifications:

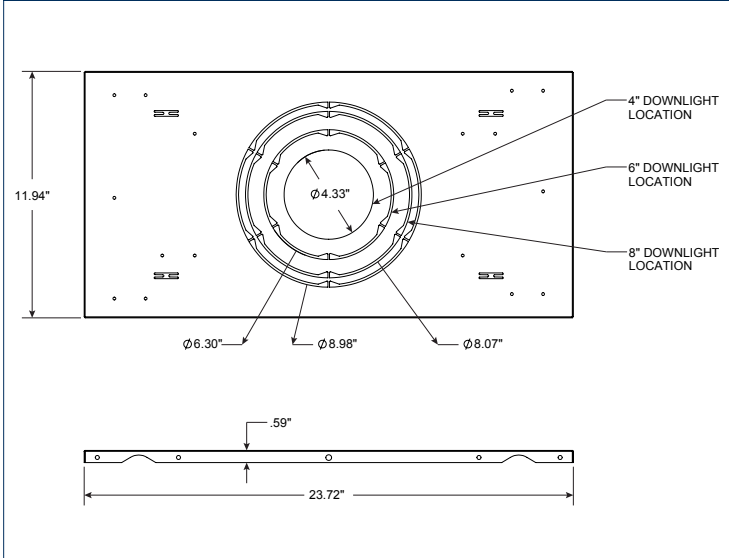
- Length: 23.72" (30.33 cm)
- Width: 11.94" (60.25 cm)

Warranty:

- Five-year limited warranty



DIMENSIONS



ORDERING INFORMATION

CATALOG #	DESCRIPTION	STD. PKG.
CDLTGP	New Construction or Remodel Plate for T-grid Ceilings	1