

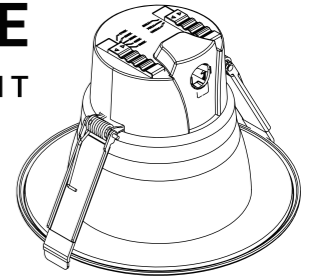
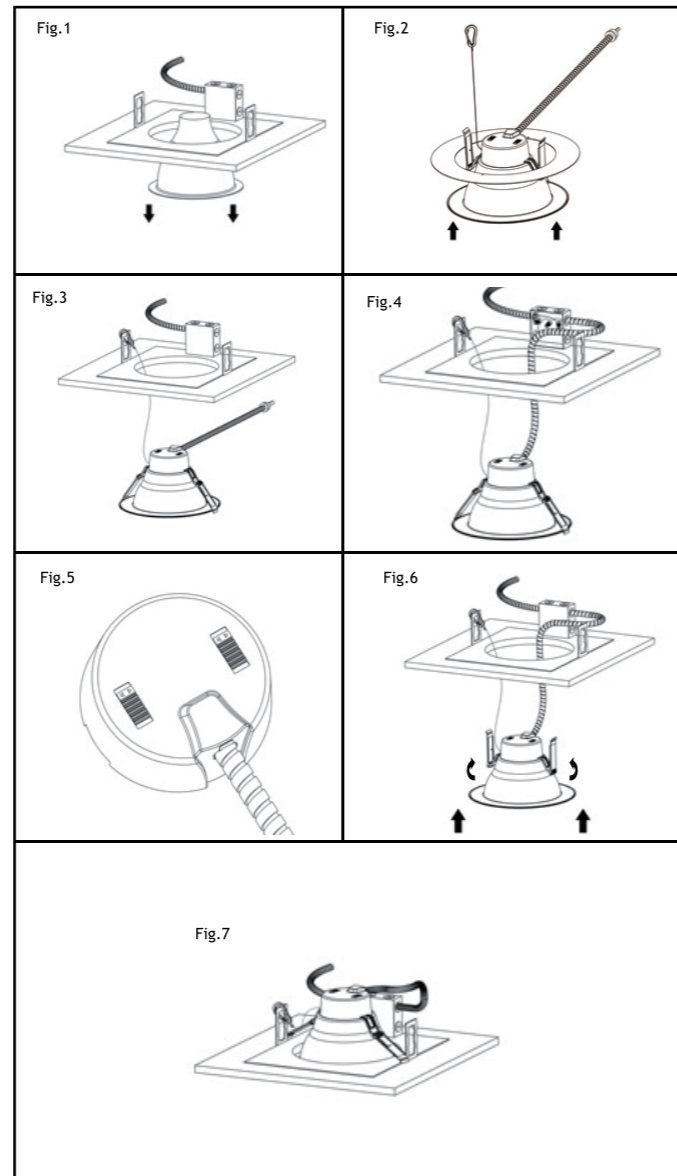
When using electrical equipment, always adhere to basic safety precautions including the following:

SAFETY WARNING

Read all product labels and instructions before installing the fixture. Risk of fire or electric shock. LED Retrofit Kit installation requires knowledge of luminaires electrical systems. Installation should be performed only by a qualified electrician in accordance with the National Electrical Code and relevant local code. Risk of fire or electric shock. Install this kit only in the luminaires that have the construction features and dimensions shown in the photographs and/or drawings. To prevent wiring damage or abrasion, do not expose wiring to edges of sheet metal or other sharp objects. Do not make or alter any open holes in an enclosure of wiring or electrical components during kit installation. The recessed luminaire is intended for mounting only in a covered ceiling where only the led side of the luminaire will be exposed to damp or dry locations. **INSTALLATION SHOULD ONLY BE PERFORMED AFTER POWER TO THE FIXTURE HAS BEEN DISCONNECTED.**

RETROFIT INSTALLATION

1. Make sure the **POWER IS TURNED OFF** at the source to the recessed housing in which you are installing the product.
2. If existing lamp and trim are present, remove from ceiling or move it out of the way as it will not be needed during installation. Measure the ceiling opening to make sure the edge of the luminaire will cover the entire hole and still sit firmly in the ceiling before proceeding (fig. 1).
3. If a goof ring is needed, insert the goof ring around the reflector (fig. 2).
4. Attach the carabiner safety clip to the existing fixture housing (fig. 3).
5. Remove junction box faceplate. Disconnect all wires to the ballast and remove ballast from J-Box. Remove appropriate round knock out and attach the fixture conduit whip into knock out. Connect incoming power (White to White, Black to Black, Green to Green/Ground). For 0-10V dimming circuits, connect Grey to Grey and Purple to Purple. Reattach J-Box faceplate. (fig. 4)
6. Adjust the fixture power to desired lumen output by sliding the black selector switch. Adjust the color temperature to desired one, by sliding the red selector switch. Make sure the switch is never in between positions (fig. 5).
7. Squeeze the two spring clips so they are in an upright position and insert lamp into housing (fig. 6).
8. Once fixture is inside the housing, release the spring clips and continue pushing fixture until securely fixed and flush with ceiling (fig. 7).
9. Restore power at the source and the installation is complete.



When using electrical equipment, always adhere to basic safety precautions including the following:

SAFETY WARNING

Read all product labels and instructions before installing the fixture. Risk of fire or electric shock. LED Retrofit Kit installation requires knowledge of luminaires electrical systems. Installation should be performed only by a qualified electrician in accordance with the National Electrical Code and relevant local code. Risk of fire or electric shock. Install this kit only in the luminaires that have the construction features and dimensions shown in the photographs and/or drawings. To prevent wiring damage or abrasion, do not expose wiring to edges of sheet metal or other sharp objects. Do not make or alter any open holes in an enclosure of wiring or electrical components during kit installation. The recessed luminaire is intended for mounting only in a covered ceiling where only the led side of the luminaire will be exposed to damp or dry locations. **INSTALLATION SHOULD ONLY BE PERFORMED AFTER POWER TO THE FIXTURE HAS BEEN DISCONNECTED.**

NEW CONSTRUCTION INSTALLATION

1. Make sure the **POWER IS TURNED OFF** at the source to the location in which you are installing the product.
2. If using a new Construction Plate, install it in the ceiling following its own installation instruction. (fig 1)
3. If a new hole is needed, use a hole cutter, and set the diameter to $\varnothing 6.30'' - \varnothing 7.48''$ (160-190mm) for the SLFT6, $\varnothing 7.88'' - \varnothing 9.03''$ (200-230mm) for the SLFT8 and $\varnothing 9.06'' - \varnothing 10.63''$ (230-270mm) for the SLFT9.5, or cut along the edge of the new construction plate prepared for the desired size (fig. 2).
4. Attach the carabiner safety clip to a secure place inside the ceiling (fig. 3).
5. Insert lamp conduit into a preinstalled J-box (not provided) and wire to the power source (black to hot, white to neutral, green to ground). For 0-10V dimming circuits, connect grey to grey and purple to purple. Close the J-box securely (fig. 5).
6. Adjust the fixture power to desired lumen output by sliding the black selector switch. Adjust to the desired color temperature by sliding the red selector switch. Make sure the switch is never in between positions (fig. 4).
7. Squeeze the two spring clips so they are in an upright position and insert lamp into housing (fig. 5).
8. Once lamp is inside the housing, release the spring clips and continue pushing fixture until securely fixed and flush with ceiling (fig. 6).
9. Restore power at the source and the installation is complete.

