



Exit & Emergency
Thermoplastic LED Exit Sign



PROJECT INFORMATION

JOB NAME	
FIXTURE TYPE	Thermoplastic LED Exit Sign
CATALOG NUMBER	
APPROVED BY	

SPECIFICATIONS

Construction:

The EXP Series is a slim-profile thermoplastic LED exit sign that offers modern design, including a standard at faceplate, long-lasting and energy-efficient LEDs, and uniform illumination in an economical package.

Injection-molded, high-impact, UV-stabilized, UL94 V-0 thermoplastic construction

Snap-fit faceplate design for installation without tools

Removable universal chevrons for directional indications

Universal single face and double face (extra faceplate included)

Electrical:

Input: 120/277VAC, 60Hz, 3.6W/4.14W

Maintenance-free nickel-cadmium battery (RC version nickel-metal hydride)

Energy-saving LED

Remote-Capable version provides 3.44 watts for 90 minutes

Temperatures:

Min Start: 20°C Max: 30°C

Installation:

Top, back, J-box or end mounting through universal mounting plate and canopy

Listings:

Luminaire is certified to UL/cUL Standards for Damp Locations

Testing:

Atlas LED luminaires have been tested by an independent laboratory in accordance with IESNA LM-79 & LM-80.

Warranty:

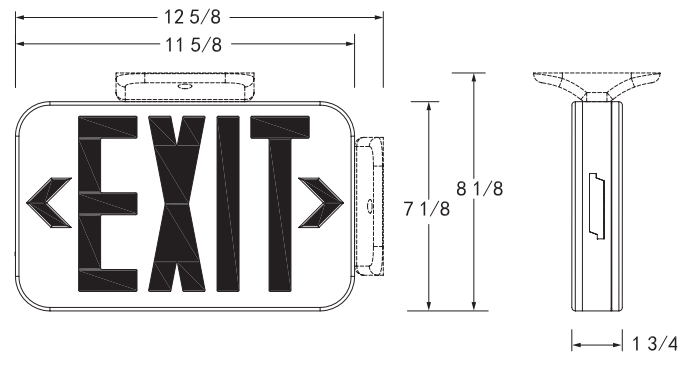
Five-year limited warranty



DIMENSIONS

Weight: 2.4 lbs.

Top and Side View



ORDERING INFORMATION

CATALOG #	DESCRIPTION	FINISH	LETTER COLOR	VOLTS
EXPRWR	Thermoplastic Exit Sign	White	Red	120/277
EXPRWG	Thermoplastic Exit Sign	White	Green	120/277
EXPRWRC	Thermoplastic Exit Sign - Remote Capable	White	Red	120/277
EXPRWGRC	Thermoplastic Exit Sign - Remote Capable	White	Green	120/277