



Eagle Series

2nd Generation LED Area Light



PROJECT INFORMATION

JOB NAME	
FIXTURE TYPE	Eagle Series
CATALOG NUMBER	SLPM
APPROVED BY	

SPECIFICATIONS

Construction:

Designed for commercial and industrial applications, providing cooler operating temperatures, brighter light and longer LED life. The die cast aluminum housing utilizes external airflow fins allow for greater heat dissipation. The easy access driver compartment is a thermally independent compartment, separate from LED generated heat, for cooler operation and longer driver life.

Optics:

Atlas Eagle Series fixtures utilize precision engineered individual lenses for maximum light intensity. The lens is made of optical grade polycarbonate. Advanced one piece optic board engineered for maximum light intensity. Types II, III, V and Forward Throw distributions are available. Types II, III and Forward Throw optics are rotatable allowing for optimal placement of the fixtures on the perimeter of any layout.

Mounting:

The easy mount bracket makes installation to any style pole quick and easy. Tenon and other mounting accessories also available. For round poles 500-SLPMRPA is required.

Thermal Management:

Atlas Eagle Series fixtures are designed as a complete system to optimize LED life and light output. The thermal stacking heat removal technology extracts heat from within the housing moving it away from LEDs and components. The lower temperatures result in long LED life (200,000+ hrs¹) and component life and also allows for higher light output.

Listings:

Luminaire is certified to UL/cUL Standards for Wet Locations IDA Listed (3000K or lower CCTs only)² DesignLights Consortium qualified luminaire, eligible for rebates from DLC member utilities. See chart on last page for qualifying products.

AC Input: 120/208/240/277/347/480 V

Driver:

Constant current, 120-277 VAC, 50-60 Hz
 High Efficiency – min. 88%
 O-State Power: 0 Watts
 0-10 V Dimming

LEDs:

Available in 3000K, 4000K, 4500K and 5000K, CCT
 Epoxy Guard™ protective conformal coated boards

Reduced Glare:

Positioning of the LED modules within the housing result in light directed to desired locations and reduces oensive light.

Testing:

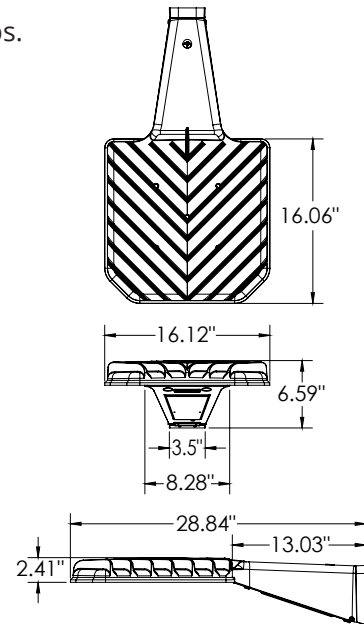
Atlas LED luminaires have been tested by an independent laboratory in accordance with IESNA LM-79 & LM-80.

Warranty: Five-year limited warranty

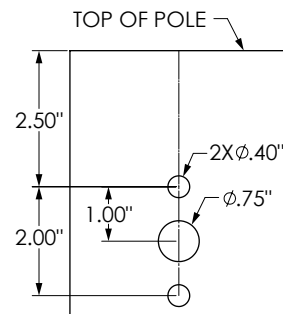


DIMENSIONS

Weight: 21 lbs.
 EPA: 0.61



DRILL PATTERN



For round poles 500-SLPMRPA is required.

Rebates and Incentives are available in many areas. Contact an Atlas Representative for more information.

¹LED Life Span Based Upon LM-80 Test Results



Eagle Series

2nd Generation LED Area Light



ORDERING INFORMATION

SLPM	S	12-24L	T2	4K				
PRODUCT SERIES	SELECTABLE	LUMEN PACKAGE	DISTRIBUTION	COLOR TEMP.	VOLTAGE	COLOR RENDERING	FIXTURE COLOR	OPTIONS
SLPM = Eagle Series Area Light	blank = Fixed	6L = 6,000 Lumens 9L = 9,000 Lumens 12L = 12,000 Lumens 18L = 18,000 Lumens 24L = 24,000 Lumens 30L = 30,000 Lumens 36L = 36,000 Lumens 43L = 43,000 Lumens 50L = 50,000 Lumens	T2 = Type 2 T3 = Type 3 T5 = Type 5 FT = Forward Throw T2L = Type 2 Rotated Left T3L = Type 3 Rotated Left FTL = Forward Throw Rotated Left T2R = Type 2 Rotated Right T3R = Type 3 Rotated Right FTR = Forward Throw Rotated Right	3K = 3000K 4K = 4000K 45K = 4500K 5K = 5000K	Blank = 120-277 4 = 347/480	Blank = 70CRI	Blank = Bronze BK = Black SL = Silver WT = White	PR = 7 Pin Photocell Receptacle SP = Surge Protection IC = Integrated Motion Control* M = Motion
	S = Selectable	12-24L = 12,000-24,000 Lumens Selectable 25-50L = 25,000-50,000 Lumens Selectable						*Only available in 120-277V / Not available on Selectable Units

PERFORMANCE DATA

LUMEN PACKAGE	DISTRIBUTION	CRI	3000K CCT*		4000K CCT		4500K CCT		5000K CCT		WATTAGE	BUG RATING	REPLACES UP TO
			DELIVERED LUMENS	EFFICACY (LPW)	DELIVERED LUMENS	EFFICACY (LPW)	DELIVERED LUMENS	EFFICACY (LPW)	DELIVERED LUMENS	EFFICACY (LPW)			
SELECTABLE													
12L-24L	T2	70	12,646	160	13,294	168	13,030	165	13,210	167	79	B3-U0-G3	250W
	T3	70	12,618	160	13,634	173	13,257	168	13,305	168		B3-U0-G3	
	FT	70	12,646	160	13,291	168	13,042	165	13,242	168		B3-U0-G4	
	T5	70	12,481	158	13,117	166	12,872	163	13,069	165		B5-U0-G3	
	T2	70	18,662	150	19,831	160	19,296	156	19,595	158	124	B3-U0-G3	400W
	T3	70	18,796	152	19,974	161	19,435	157	19,736	159		B3-U0-G3	
	FT	70	18,707	151	19,879	160	19,343	156	19,642	158		B3-U0-G4	
	T5	70	18,463	149	19,620	158	19,090	154	19,386	156		B5-U0-G3	
	T2	70	23,684	139	25,168	148	24,489	144	25,220	148	170	B3-U0-G3	750W
	T3	70	23,854	140	25,349	149	24,665	145	25,359	149		B3-U0-G3	
	FT	70	23,741	140	25,229	148	24,548	144	24,928	147		B3-U0-G4	
	T5	70	23,431	138	24,899	146	24,227	143	25,422	150		B5-U0-G3	
25L-50L	T2	70	24,586	156	26,536	168	26,054	165	26,526	168	158	B4-U0-G4	400W
	T3	70	24,584	156	26,535	168	26,052	165	26,524	168		B4-U0-G5	
	FT	70	23,982	152	25,884	164	25,414	161	25,874	164		B4-U0-G4	
	T5	70	24,504	155	26,448	167	25,967	164	26,438	167		B5-U0-G4	
	T2	70	35,832	146	38,675	158	37,972	155	38,659	158	245	B4-U0-G4	1000W
	T3	70	35,830	146	38,672	158	37,969	155	38,656	158		B4-U0-G5	
	FT	70	34,952	143	37,725	154	37,039	151	37,709	154		B4-U0-G4	
	T5	70	35,713	146	38,546	157	37,846	154	38,531	157		B5-U0-G4	
	T2	70	43,678	132	48,164	145	47,289	142	48,145	145	332	B4-U0-G4	1000W
	T3	70	43,675	132	48,161	145	47,285	142	48,141	145		B4-U0-G5	
	FT	70	42,605	128	46,981	142	46,127	139	46,962	141		B4-U0-G4	
	T5	70	43,533	131	48,004	145	47,132	142	47,985	145		B5-U0-G4	

*CCT 3000K or lower required for Dark Sky Compliance.



Eagle Series

2nd Generation LED Area Light



PERFORMANCE DATA

LUMEN PACKAGE	DISTRIBUTION	CRI	3000K CCT*		4000K CCT		4500K CCT		5000K CCT		WATTAGE	BUG RATING	REPLACES UP TO
			DELIVERED LUMENS	EFFICACY (LPW)	DELIVERED LUMENS	EFFICACY (LPW)	DELIVERED LUMENS	EFFICACY (LPW)	DELIVERED LUMENS	EFFICACY (LPW)			
FIXED													
6L	T2	70	5,908	153	6,067	158	6,093	159	6,152	160	39	B1-U0-G1	175W
	T3	70	5,824	151	5,981	155	6,006	155	6,065	157		B1-U0-G2	
	FT	70	5,712	148	5,866	152	5,891	153	5,948	154		B1-U0-G1	
	T5	70	5,848	152	6,005	156	6,031	156	6,090	158		B3-U0-G1	
9L	T2	70	9,155	159	9,401	163	9,442	164	9,533	166	58	B2-U0-G2	175W
	T3	70	9,082	158	9,326	162	9,366	163	9,457	164		B2-U0-G2	
	FT	70	8,866	154	9,104	158	9,144	159	9,232	160		B2-U0-G2	
	T5	70	9,086	158	9,330	162	9,370	163	9,461	164		B3-U0-G2	
12L	T2	70	10,962	148	11,513	154	11,513	154	11,602	156	75	B2-U0-G2	250W
	T3	70	11,452	154	12,028	161	12,028	161	12,121	163		B2-U0-G2	
	FT	70	11,335	153	11,905	159	11,905	159	12,601	169		B2-U0-G2	
	T5	70	11,571	156	12,153	162	12,153	162	12,247	164		B4-U0-G2	
18L	T2	70	17,840	155	19,506	160	18,509	152	18,509	152	122	B3-U0-G3	400W
	T3	70	17,810	155	19,489	160	18,493	152	18,493	152		B3-U0-G3	
	FT	70	17,340	151	19,182	157	18,201	149	18,201	149		B3-U0-G3	
	T5	70	17,820	155	19,650	161	18,645	153	18,645	154		B4-U0-G2	
24L	T2	70	23,640	148	25,447	149	24,146	141	24,146	141	171	B3-U0-G3	400W
	T3	70	23,620	148	25,425	149	24,125	141	24,125	141		B3-U0-G3	
	FT	70	23,030	144	25,025	146	23,745	139	23,745	139		B3-U0-G3	
	T5	70	23,660	148	25,635	150	24,324	142	24,324	142		B5-U0-G3	
30L	T2	70	29,450	140	29,395	166	28,859	164	28,859	164	177	B3-U0-G3	750W
	T3	70	29,440	140	29,759	168	29,216	165	29,216	165		B3-U0-G4	
	FT	70	28,750	137	29,393	166	28,857	163	28,857	163		B3-U0-G3	
	T5	70	29,470	141	29,920	169	29,374	166	29,374	166		B5-U0-G3	
36L	T2	70	35,260	133	35,542	162	34,796	159	34,796	159	219	B3-U0-G4	1000W
	T3	70	35,220	133	35,603	162	34,856	159	34,856	159		B3-U0-G4	
	FT	70	34,490	131	35,032	160	34,297	157	34,297	157		B4-U0-G4	
	T5	70	35,200	133	35,323	160	34,582	157	34,582	157		B5-U0-G4	
43L	T2	70	42,200	121	41,750	152	41,258	150	41,258	150	275	B3-U0-G4	1000W
	T3	70	41,940	120	42,070	153	41,575	151	41,575	151		B3-U0-G5	
	FT	70	41,300	118	41,617	151	41,127	150	41,127	150		B4-U0-G4	
	T5	70	41,970	120	42,470	154	41,970	152	41,970	152		B5-U0-G4	
50L	T2	70	n/a	n/a	48,821	147	47,962	144	47,962	144	333	B4-U0-G4	1000W
	T3	70	n/a	n/a	49,190	148	48,324	145	48,324	145		B4-U0-G5	
	FT	70	n/a	n/a	47,891	144	47,048	142	47,048	142		B4-U0-G4	
	T5	70	n/a	n/a	49,524	149	48,652	146	48,652	146		B5-U0-G5	

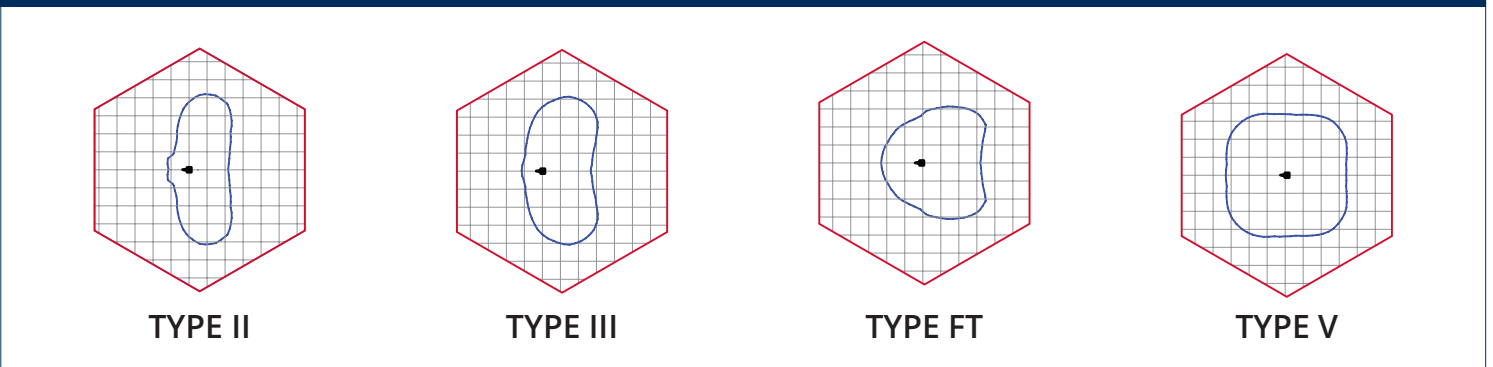
*CCT 3000K or lower required for Dark Sky Compliance.



ACCESSORY ORDERING INFORMATION

PART NUMBER	DESCRIPTION	FINISH	STD. PKG.
TLRA-7P	7 Pin Photocell Receptacle	Bronze	1
80-SP	Surge Protection 120-277V	n/a	1
80-SP480	Surge Protection 480V	n/a	1
80-SLMS	Line Voltage Bi-Level Occupancy Sensor	Bronze	1
HSSS	House Side Shield for SLPS	Bronze	1
HSSM	House Side Shield for SLPM	Bronze	1
500-SLPMRPA	Round Pole Adapter	Bronze	1
500-WBBZ	Wall Bracket	Bronze	1
500-WPBBZ	Wooden Pole Bracket	Bronze	1
500-SAB	Spoke Arm Bracket	Bronze	1
500-AAB	Adjustable Angled Bracket	Bronze	1
500-15BSQBZ	15° Angled Bracket	Bronze	1
500-SPTABZ	Square Pole Tenon Adapter	Bronze	1
500-RPT90BZ	Square or Round Pole w/Tenon 4 @ 90°	Bronze	1
500-RPT120BZ	Square or Round Pole w/Tenon 3 @ 120°	Bronze	1
500-RPT243490BZ	Round Pole Top Adapter 4 @ 90° 2.3" - 3.4" Pole Top O.D.	Bronze	1
500-RPT35490BZ	Round Pole Top Adapter 4 @ 90° 3.5" - 4" Pole Top O.D.	Bronze	1
500-RPT354120BZ	Round Pole Top Adapter 3 @ 120° 3.5" - 4" Pole Top O.D.	Bronze	1

MULTIPLE DISTRIBUTION PATTERNS - ROTATABL OPTICS





Eagle Series

2nd Generation LED Area Light



DLC PRODUCT INFORMATION

LUMEN PACKAGE	DISTRIBUTION	3000K CCT		4000K CCT		4500K CCT		5000K CCT	
		DLC PRODUCT ID	CLASSIFICATION	DLC PRODUCT ID	CLASSIFICATION	DLC PRODUCT ID	CLASSIFICATION	DLC PRODUCT ID	CLASSIFICATION
SELECTABLE									
12L-24L	T2	S-SIUJ2V	Premium	S-ANR5CG	Premium	S-TXEH8M	Premium	S-K1B8GQ	Premium
	T3	S-LDMQOF	Premium	S-B0W67S	Premium	S-AKPSN0	Premium	S-4VG0BS	Premium
	FT	S-EYDGOK	Premium	S-P8E4F0	Premium	S-BKZ6UP	Premium	S-YAGX4R	Premium
	T5	S-1ASUWO	Premium	S-IDRBFO	Premium	S-F8TSZK	Premium	S-30QMWS	Premium
25L-50L	T2	S-6JF2IT	Premium	S-SPWKT7	Premium	S-S13N2M	Premium	S-2ON6CP	Premium
	T3	S-GVQLHI	Premium	S-X0S32Z	Premium	S-M63KYV	Premium	S-UNQF4G	Premium
	FT	S-YZ1OVT	Premium	S-VZCDSK	Premium	S-72IXW1	Premium	S-Z4O2W3	Premium
	T5	S-E5SFV7	Premium	S-KLMGHJ	Premium	S-ATWVMU	Premium	S-CLOBR8	Premium

FIXED									
6L	T2	n/a	n/a	n/a	n/a	n/a	n/a	n/a	n/a
	T3	n/a	n/a	n/a	n/a	n/a	n/a	n/a	n/a
	FT	n/a	n/a	n/a	n/a	n/a	n/a	n/a	n/a
	T5	n/a	n/a	n/a	n/a	n/a	n/a	n/a	n/a
9L	T2	n/a	n/a	n/a	n/a	n/a	n/a	n/a	n/a
	T3	n/a	n/a	n/a	n/a	n/a	n/a	n/a	n/a
	FT	n/a	n/a	n/a	n/a	n/a	n/a	n/a	n/a
	T5	n/a	n/a	n/a	n/a	n/a	n/a	n/a	n/a
12L	T2	n/a	n/a	PLYOUGYE	Standard	PKL63EDA	Standard	PCOKLMB7	Standard
	T3	n/a	n/a	P7ZQ6JLH	Standard	PBXT267Y	Standard	PTQ6GW11	Standard
	FT	n/a	n/a	PYUP0C3O	Standard	PMLDWFT2	Standard	PYYKSJCO	Standard
	T5	n/a	n/a	PC28LIXJ	Standard	PN452Q3V	Standard	PJIDRKK2	Standard
18L	T2	n/a	n/a	PMIWJ1SN	Premium	PYT1OI0B	Premium	P56IPYBL	Premium
	T3	n/a	n/a	PWYZ2MQG	Premium	PFSS1LYN	Premium	P8NHN8RJ	Premium
	FT	n/a	n/a	PJB7FYMM	Premium	PDV67ZF9	Premium	P50SC05I	Premium
	T5	n/a	n/a	PYM1GPE3	Premium	PAFTCGKI	Premium	P8T6GNYI	Premium
24L	T2	n/a	n/a	PADFFSIZ	Premium	PQHJ2HVU	Premium	PHXDPZ80	Premium
	T3	n/a	n/a	PTR75LPB	Premium	P3PQMW2M	Premium	P3L39231	Premium
	FT	n/a	n/a	PGEH2M5K	Premium	PXAK81Y2	Premium	PI32PEFC	Premium
	T5	n/a	n/a	PDUZQO2H	Premium	PJT626LP	Premium	PH27URM4	Premium
30L	T2	n/a	n/a	PTB9NPRB	Premium	PST7MVD0	Premium	P8QMXYBW	Premium
	T3	n/a	n/a	PLL1DPKB	Premium	PXES3U4Q	Premium	PM4251VZ	Premium
	FT	n/a	n/a	P8I11S1R	Premium	PSZUR0KJ	Premium	P3AK7WLB	Premium
	T5	n/a	n/a	PP5HBMJD	Premium	PCMV87BH	Premium	PPF38Y2T	Premium
36L	T2	n/a	n/a	PNK748V8	Premium	PPFARQHV	Premium	PRZPTZ7E	Premium
	T3	n/a	n/a	PSITLJK6	Premium	PA9IEJIL	Premium	PVA9J3YF	Premium
	FT	n/a	n/a	PZTOHBUE	Premium	P9I5OG5M	Premium	PFL93QMN	Premium
	T5	n/a	n/a	PNL4Q554	Premium	P6DUTVBK	Premium	PDK53QL5	Premium
43L	T2	n/a	n/a	PZSVZ25R	Premium	P9W50WQ1	Premium	P7HALS4B	Premium
	T3	n/a	n/a	PJRBFMF7	Premium	P5FL77JB	Premium	PHQS4FSQ	Premium
	FT	n/a	n/a	PHBZ3WVN	Premium	PF35LJEC	Premium	PLR3HSZ6	Premium
	T5	n/a	n/a	P6DRCR1Q	Premium	P6Z1DW5Z	Premium	PVTTXZ8S	Premium
50L	T2	n/a	n/a	PT0YD3MT	Premium	PRLZZOOT	Premium	PK5K4HAA	Premium
	T3	n/a	n/a	PB2YCEC6	Premium	PIWZAVP1	Premium	PDWACXL4	Premium
	FT	n/a	n/a	P5T6UPEY	Premium	PM31LXO4	Premium	PSQYJTOK	Premium
	T5	n/a	n/a	PHCA002U	Premium	PYZ945ER	Premium	PFHV4SGH	Premium