



# Independence High Bay Wireguard

## PROJECT INFORMATION

JOB NAME	
FIXTURE TYPE	Wireguard for IHB
CATALOG NUMBER	IHB-WG
APPROVED BY	

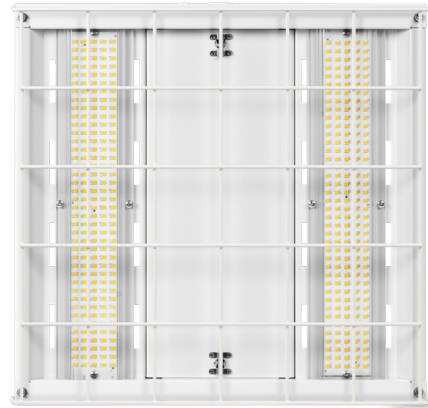
## SPECIFICATIONS

### Construction:

- 9 gauge steel wire (AWG Standard) with white powder coat finish

### Specifications:

- Width: 14.31" (363.3mm)
- Depth: 13.48" (342.4mm)
- Height: 1.38" (34.9mm)

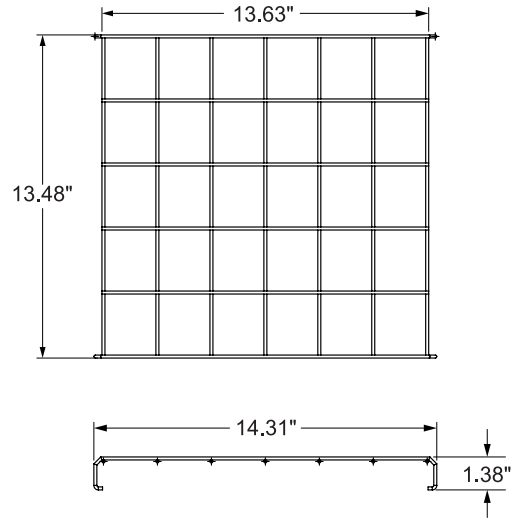


**BUY AMERICAN**



**COMPLIANT\***

## DIMENSIONS



## ORDERING INFORMATION

CATALOG #	DESCRIPTION	STD. PKG.
IHB-WG	Wireguard for Independence High Bays (IHB) Units	1