



360° Motion Sensor



PROJECT INFORMATION

JOB NAME	
FIXTURE TYPE	360° Motion Sensor
CATALOG NUMBER	MS360
APPROVED BY	

SPECIFICATIONS

Electrical:

- Input Voltage: 120/277/347 VAC
- Operational Frequencies: 50/60Hz
- Wire Designation: Line-Black, Load-Red, Neutral-White
- Load Rating:

}	Ballast/Driver
800VA @ 120VAC	
1200VA @ 277VAC	
1500VA @ 347VAC	
- Mounted: 1/4 HP Motor Load @ 120V

Environmental:

- Operating Temperature Range: 14°F to 160°F

Construction:

- High-impact Housing
- Injection Molded Plastic
- Color Coded Wire Leads are 42" Long

Specifications:

- Size: 3.50"H x 3.50"W x 1.25"D (8.89H x 8.89W x 3.175D cm)
- Color: White
- Listings: UL and cUL, Photoelectric Switch, CEC Title 24 Compliant

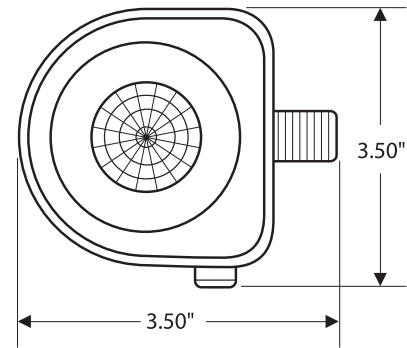
Controls:

- Timer Setting: 30 seconds - 20 minutes

Range and Coverage:

- The 360° PIR lens provides a 2:1 spacing to mounting height coverage under 25 ft. mounting and a 1.5:1 for heights up to 40 ft. mounting. The aisle lens is designed to provide detection of 60 ft. long by 20 ft. wide for heights up to 40 ft. mounting.

DIMENSIONS



ORDERING INFORMATION

CATALOG #	DESCRIPTION	STD. PKG.
MS360	360° Motion Sensor with three Interchangeable Application Specific Lenses	1

COVERAGE

MS360 High Bay Lens TYPICAL MOUNTING HEIGHT: 20-40'		MS360 Low Bay Lens TYPICAL MOUNTING HEIGHT: 8-20'		MS360 Aisle Lens TYPICAL MOUNTING HEIGHT: 20-40'	
OPTIMAL COVERAGE	APPLICATION	OPTIMAL COVERAGE	APPLICATION	OPTIMAL COVERAGE	APPLICATION
24' diameter at 20' height; increased coverage density	high bay, open area	40' diameter at 20' height; increased coverage density	low bay, open area	60' linear x 20' width	high bay, aisle ways