

Installation and Assembly Instructions Opulence Post Top Area Light (OPS PT) Series



⚠ WARNING

Risk of fire, electric shock, injury or property damage

Risk of electric shock--Disconnect power to equipment before installing or servicing.
This equipment must be installed according to all applicable codes & ordinances.
Installation and service of this equipment must be performed by qualified service personnel.
Do not install damaged equipment.
Read these instructions before installing, servicing or maintaining this equipment.
Save these instructions for maintaining and servicing.

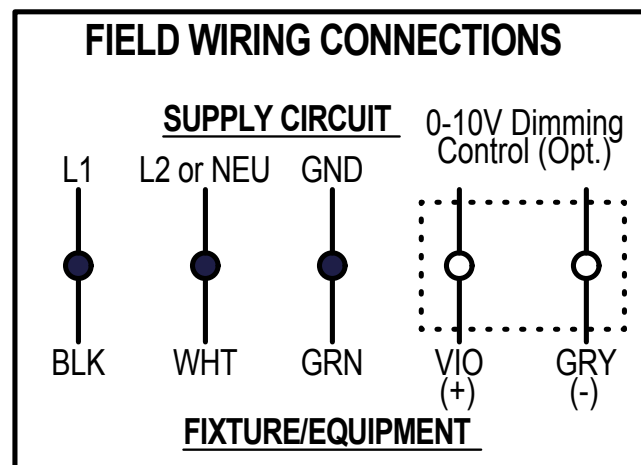
⚠ CAUTION

Failure to follow instructions or altering equipment could result in damage and void warranty.
Edges may cut--wear gloves while handling or servicing this equipment.
Inspect equipment for damage from shipping and handling.

LUMINAIRE INSPECTION

1. Remove the luminaire from the carton and inspect luminaire for damage. Do not install a damaged luminaire.

WIRING INFORMATION

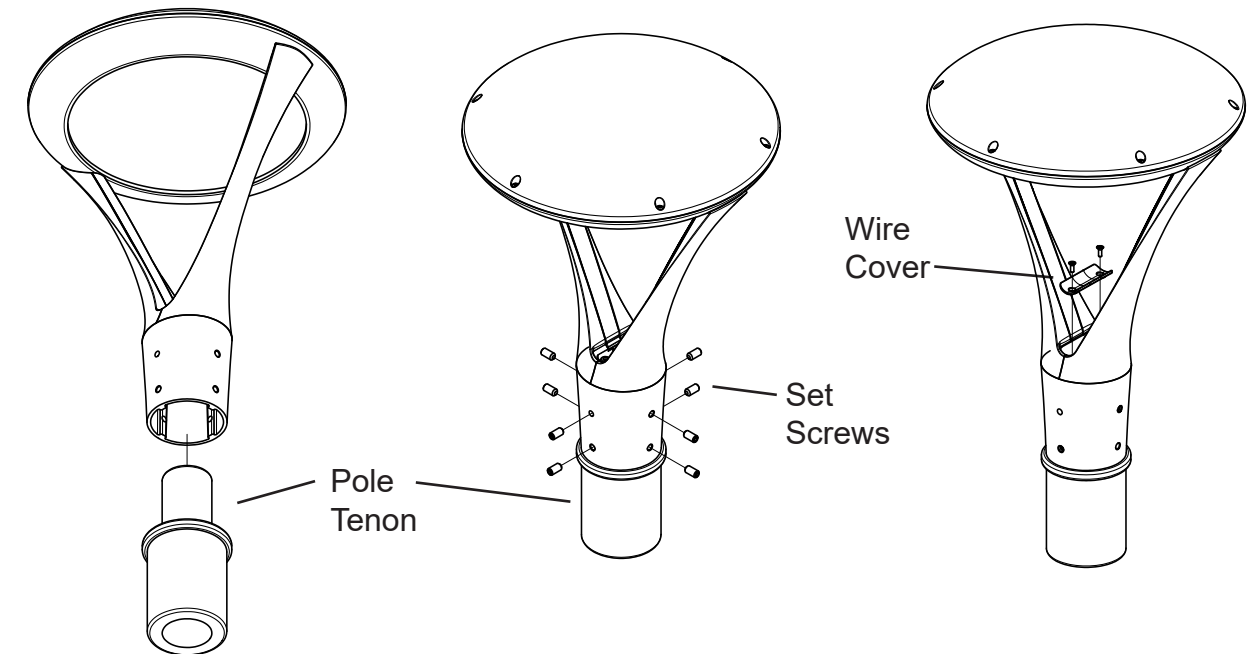


Installation Questions
Call LSI Field Service Dept.
800-436-7800 ext. 3300

Installation and Assembly Instructions Opulence Post Top Area Light (OPS PT) Series

Luminaire Preparation and Mounting to Pole

1. Verify the luminaire optic type agrees with site lighting plan for the specific pole location.
2. Place luminaire on pole tenon.
3. Fasten luminaire to pole per the figure below making sure the luminaire is level. Tighten Set Screws. Recommended torque 20 ft. lbs.
4. Make wiring connections through the Wire Cover access. Re-attach Wire Cover and tighten to recommended value of 25-30 in. lbs.



Installation Questions
Call LSI Field Service Dept.
800-436-7800 ext. 3300