



MODEL #: _____
 UPC #: _____

Linear High Bay



Specifications

Electrical Specifications

- Input Wattage: 215
- Efficacy: up to 132 LpW
- AC Input: 120/208/240/277 V
- Driver: Constant current, Class 2, 120-277VAC 50/60Hz
- Operating Temperature -40°C to +50°C (-40°F to +122°F)
- Dimming: 0-10V

Lighting Specifications

- Total Lumens: 27,364 - 28,390
- Color Temperature: 4000K | 5000K
- Color Rendering Index: 80

Housing Specifications

- High quality compact 2ft steel construction with white paint-after-fabrication finish
- Color: White
- Lifespan: 50,000 hours

Lens

- Acrylic resin lens
- Frosted lens design for maximum light output

Installation

- Standard 3' chain mount and V hooks included

Listings

- UL/cUL standards for damp locations
- DesignLights Consortium qualified luminaire, eligible for rebates from DLC member utilities.

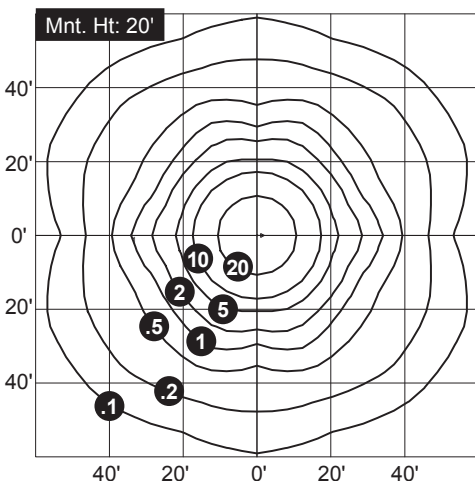
Model	DLC Prod. ID	Model	DLC Prod. ID
ORHB30L4K	P0A6Z0YR	ORHB30L4K	PQC1S82K

Warranty

- 5-Year limited warranty

Model	Watts	Lumens	Volts	Color Temp.
30,000 Lumen Package				
ORHB30L4K	215	28,390	120-277	4000K
ORHB30L5K	215	27,364	120-277	5000K

Photometrics



Light Loss Factor	1.00
Total Lumens	28,390
Mounting Height	20'
Max. Calculated Value	31.79Fc



origin

BY ATLAS LIGHTING

PROJECT INFORMATION

MODEL #:

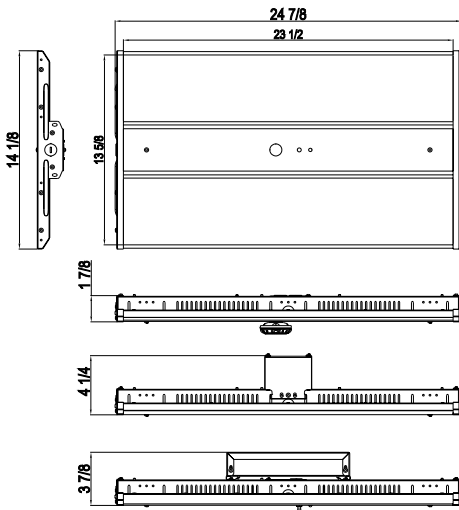
UPC #:

Linear High Bay

Dimensions

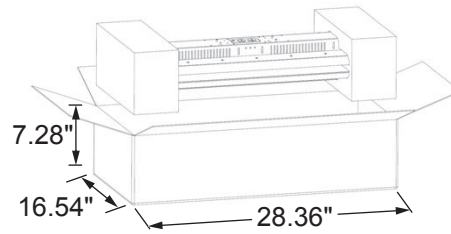
Product Dimensions

ORHB30L Weight: 9.1 lbs.



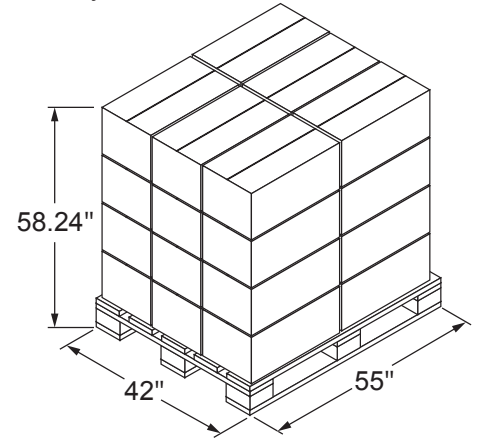
Carton Dimensions

ORHB30L Carton Weight: 22.1 lbs.
2 Units per Carton



Pallet Dimensions

Qty:60



Installation

Cautions:

1. Can not use the electric generator to test the LED lamp.
2. Please abide by related country, regional and local law and regulations when install this fixture.
3. Please turn off the power before installation or maintenance.
4. Proper earth grounding is required to ensure safety.

Notice:

1. To avoid possibility of electrical shock or fire, the installation personnel must have professional electric knowledge.
2. Please wear gloves to avoid injury before installation.
3. If any smoke or spark of the wire happened, please turn off the power immediately and notify relevant personnel.
4. Please use listed strain relief bushing when connection the supply cord to the outlet box.

Attention:

1. Please check if there is any damage during shipping. If so, please contact manufacturer timely.
 2. Please read the installation instruction carefully to check whether all the accessories are complete.
- After confirmation, then install the fixture according to installation steps.

Wiring Diagram & Instruction:

- 3 dimming functions are available in this high bay light:
1. Constant current can be achieved by 0-10VDC dimming;
 2. PWM signal dimming;

Two wiring method:

1. Conduit connection,
2. Flexible cord for connection.

Wiring Instruction

L: Black N: White
⊕: Green/Yellow DIM + : Purple
DIM - : Grey

