



MODEL #: \_\_\_\_\_  
 UPC #: \_\_\_\_\_

# Selectable Medium Flood



## Specifications

### Electrical Specifications

- Input Wattage: 26 - 45W
- Efficacy: up to 150 LpW
- AC Input: 120/208/240/277 V
- Driver: Constant current, Class 2, 120-277VAC 50/60Hz
- Dimming: 0-10V
- Includes Photocontrol

### Lighting Specifications

- Total Lumens: 3,855 | 6,583
- Color Temperature: Selectable 3000K, 4000K, 5000K CCT
- Color Rendering Index: 70

### Housing Specifications

- Die-cast aluminum housing
- UV stabilized power coated finish
- Color: Bronze
- Lifespan: 50,000 hours

### Listings

- UL/cUL standards for wet locations
- DLC Premium qualified luminaire, eligible for rebates from DLC member utilities.

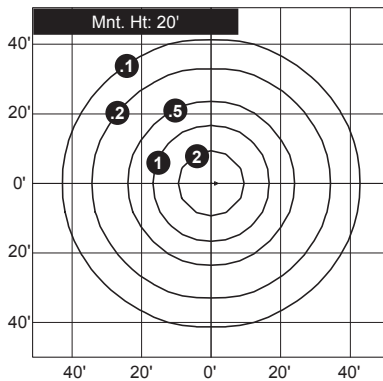
Model	DLC Prod. ID	Model	DLC Prod. ID
ORMF4LSELPC	PLAKA4ZTC08A	ORMF6LSELPC	PL0CZPL7XV46

### Warranty

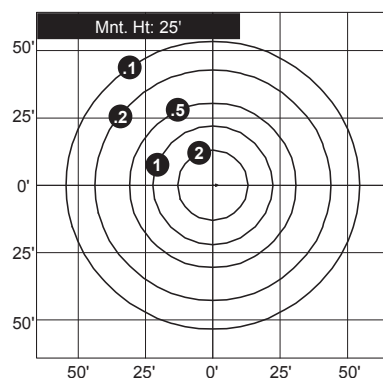
- 5-Year limited warranty

Model	Watts	Lumens	Volts	Color Temp.
ORMF4LSELPC	26	3,855	120-277	Selectable 3000K, 4000K, 5000K
ORMF6LSELPC	45	6,583	120-277	

## Photometrics



Light Loss Factor	1.00
Total Lumens	3,855
Mounting Height	20'
Max. Calculated Value	3.07Fc



Light Loss Factor	1.00
Total Lumens	6,583
Mounting Height	25'
Max. Calculated Value	3.34Fc



# origin

BY ATLAS  
LIGHTING

PROJECT INFORMATION

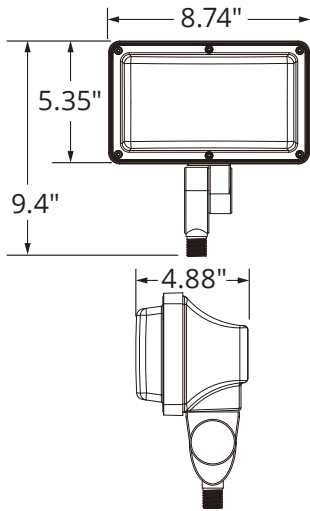
MODEL #:

UPC #:

## Selectable Medium Flood

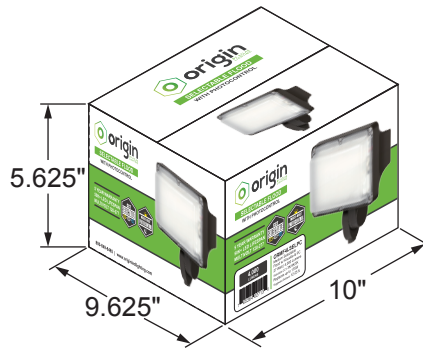
### Dimensions

#### Product Dimensions



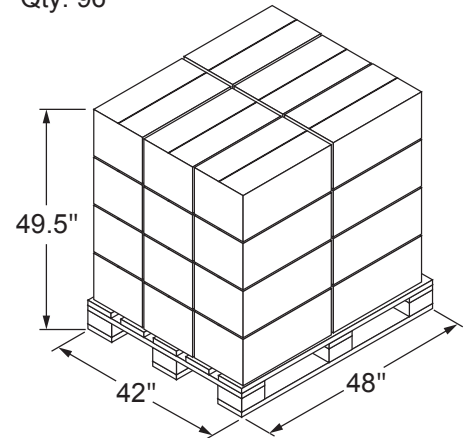
#### Carton Dimensions

Weight: 4.41 lbs.



#### Pallet Dimensions

Qty: 96



### Installation

- Before starting make sure that the power is disconnected.
- Unpack fixture and ensure that there are no damaged parts.
- Attach fixture to outdoor box cover, routing the fixture wires into the junction box. Connect fixture cables as seen below. Black to Black, White to White, Green to Green.
- Aim fixture by loosening the bolt on the arm, and reposition to the desired angle. Tighten the bolt.

