



Origin Series
Selectable Round High Bay

PROJECT INFORMATION

JOB NAME	
FIXTURE TYPE	Selectable Round High Bay
CATALOG NUMBER	
APPROVED BY	

SPECIFICATIONS

Construction:

- Die cast aluminum housing
- J-hook mounting
- Center motion mount capable
- UV stabilized power coated finish

Lens:

- Polycarbonate lens

Electrical:

- 120-277 AC voltage (50-60Hz)
- Dimming 0-10V
- Temperatures: Min Start: -20°C Max: 50°C

LEDs:

- Long-life LEDs provide 50,000 hours of operation with at least 70% of initial output (L70).
- CCT Selectable: 4000K, 5000K

Listings:

- Luminaire is certified to UL/cUL Standards for Wet Locations.
- IP65 Rating
- DesignLights Consortium qualified luminaire, eligible for rebates from DLC member utilities.

Testing:

- Atlas LED luminaires have been tested by an independent laboratory in accordance with IESNA LM-79 & LM-80.

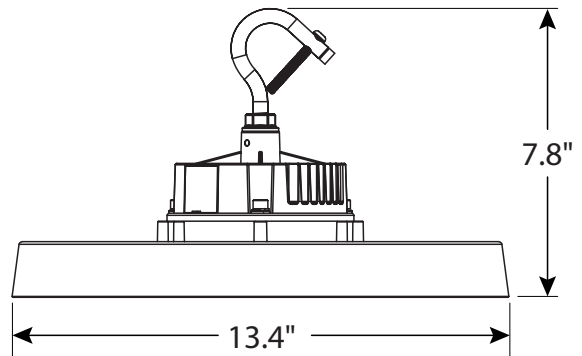
Warranty:

- Five-year limited warranty



DIMENSIONS

Weight: 6.9 lbs



¹LED Life Span Based Upon LM-70 Test Results

ORDERING INFORMATION

ORRH	S	18-30L				
PRODUCT SERIES	SELECTABLE	LUMEN PACKAGE	COLOR TEMP.	CONTROLS	VOLTAGE	FIXTURE COLOR
ORRH = Round High Bay	S = Selectable	18-30L = 18,000 - 30,000 Lumens Selectable	blank = Selectable 4000K, 5000K	Blank = Dimming (0-10V)	Blank = 120-277	Blank = Black

PERFORMANCE DATA

UNIT	CRI	4000K CCT		5000K CCT		WATTAGE	REPLACES UP TO
		DELIVERED LUMENS	EFFICACY (LPW)	DELIVERED LUMENS	EFFICACY (LPW)		
18-30L	80	19,382	168	19,109	161	120	175W MH
		25,458	162	24,420	153	160	250W MH
		30,544	157	30,000	150	200	400W MH

DLC PRODUCT INFORMATION

UNIT	DLC PRODUCT ID	CLASSIFICATION
ORRHS18-30L	S-1D6CFB	Premium

ACCESSORIES

PENDANT MOUNT



ORRH-PMK
Pendant Mount Adaptor Kit
Fits 3/4" NPT



MOTION



IRH-MOT
Center Mount Motion

EMERGENCY DRIVER



IRH-EM
Emergency Driver