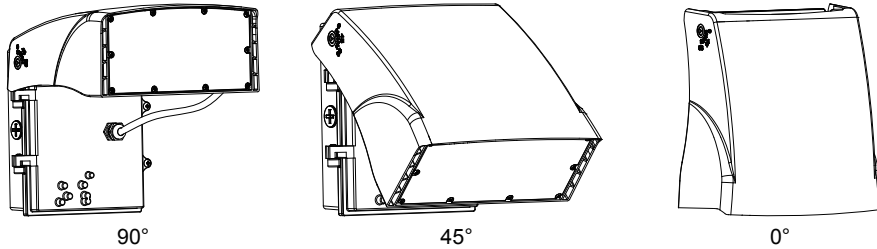


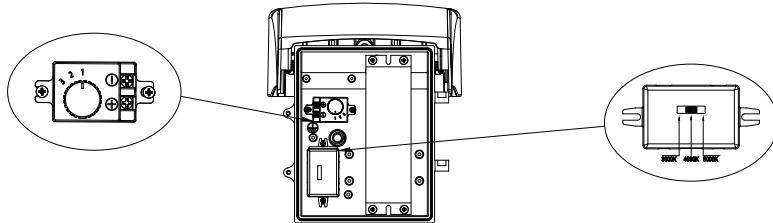
Standard wire:

- L/live wire: Black\Brown;
- N/null wire: White\Blue;
- Ground wire: Green\Yellow-green.



CCT & Wattage adjustment Instruction

1. Adjust the CCT via the control switch to 3000K/4000K/5000K, as shown in the picture below.
2. Adjust the wattage with the control knob to your desired output setting, as shown in below picture.



Warning/Advertisement:

MIN 90°C SUPPLY CONDUCTORS

THIS PRODUCT MUST BE INSTALLED IN ACCORDANCE WITH THE APPLICABLE INSTALLATION CODE BY A PERSON FAMILIAR WITH THE CONSTRUCTION AND OPERATION OF THE PRODUCT AND THE HAZARDS INVOLVED

LES FILS D'ALIMENTATION 90 °C MIN

CE PRODUIT DOIT ÊTRE INSTALLÉ SELON LE CODE D'INSTALLATION PERTINENT, PAR UNE PERSONNE QUI CONNAÎT BIEN LE PRODUIT ET SON FONCTIONNEMENT AINSI QUE LES RISQUES INHÉRENTS.

Warning:

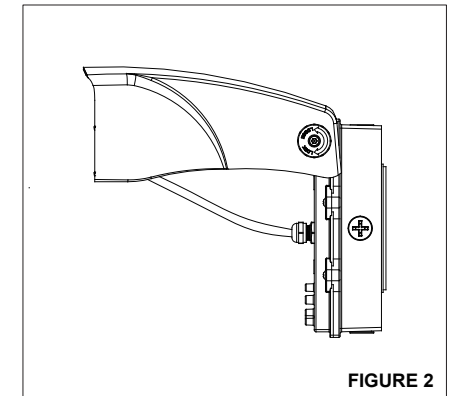
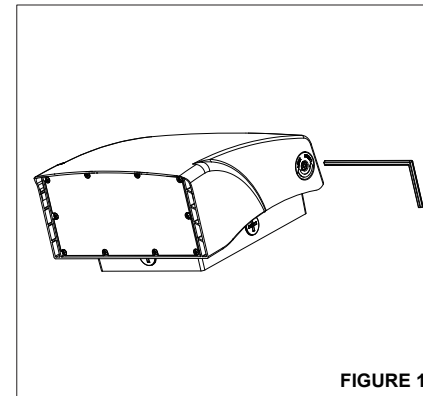
1. Do not use with electric generators.
2. This luminaire must be installed in accordance with your local electrical codes and requirements.
3. Do not install the luminaire in rainy days, to avoid lightning stroke and damage to luminaire.

Installation notice:

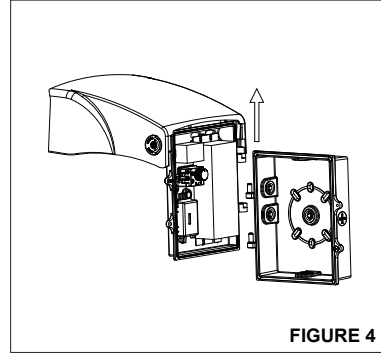
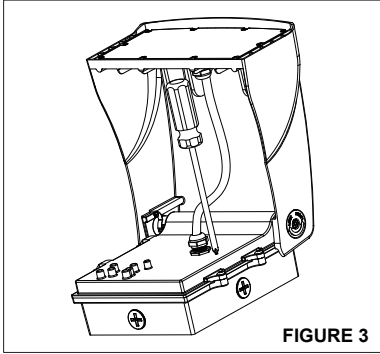
1. This luminaire must be installed by qualified electrician to avoid electric shock and fire accident.
2. Wear gloves before installation in order to avoid injury.
3. Turn off the power immediately if there is smoke and fire during installation.
4. This luminaire is suitable for outdoor use.

Installation:

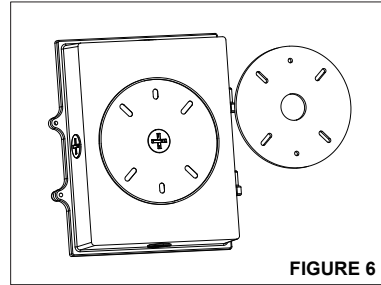
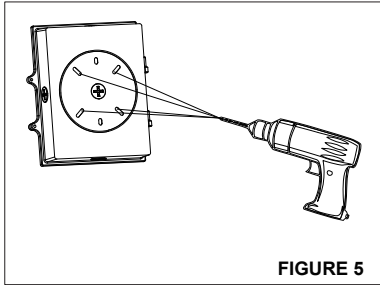
Step 1: Loosen the screws on the side of the fixture and rotate the fixture to 90 degrees.



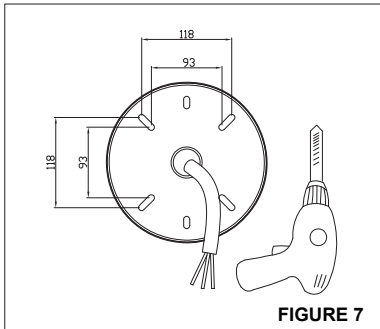
Step 2: Use a screwdriver to remove the screws on the driver box cover and separate the driver box from the fixture (Figure 3 & Figure 4).



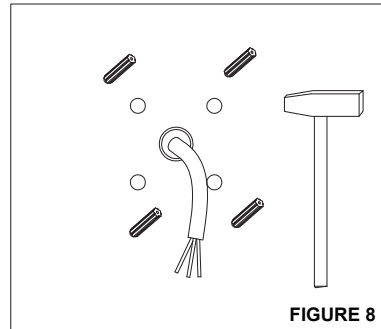
Step 3: Drill installation holes at the bottom of light, paste the EVA mat (Figure 5 & Figure 6).



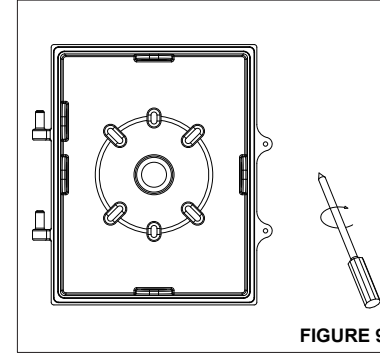
Step 4: Drill holes on the wall according to the locating plate (Figure 7).



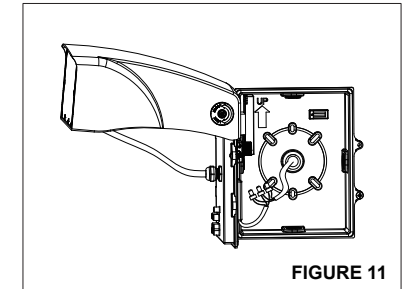
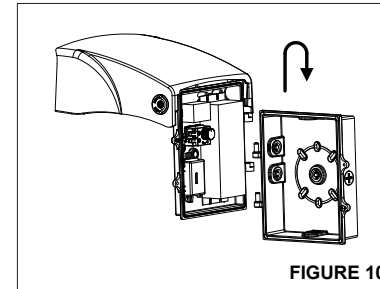
Step 5: Fix rubber plugs into holes (Figure 8).



Step 6: Align the holes on the driver box with the holes on the wall, and tighten the screws (Figure 9).



Step 7: Fasten the fixture to the driver box and connect the wires properly (Figure 10 & Figure 11).



Step 8: Tighten the screws to secure the driver box to the fixture (Figure 12 & Figure 13).

