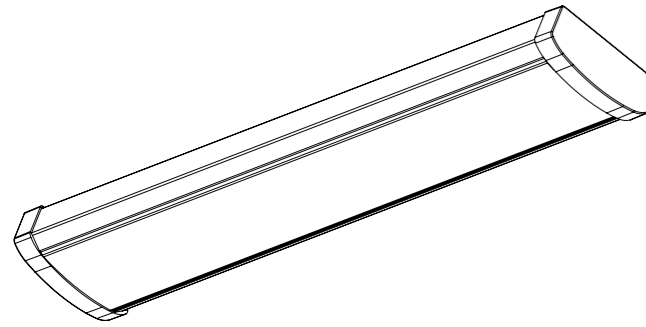
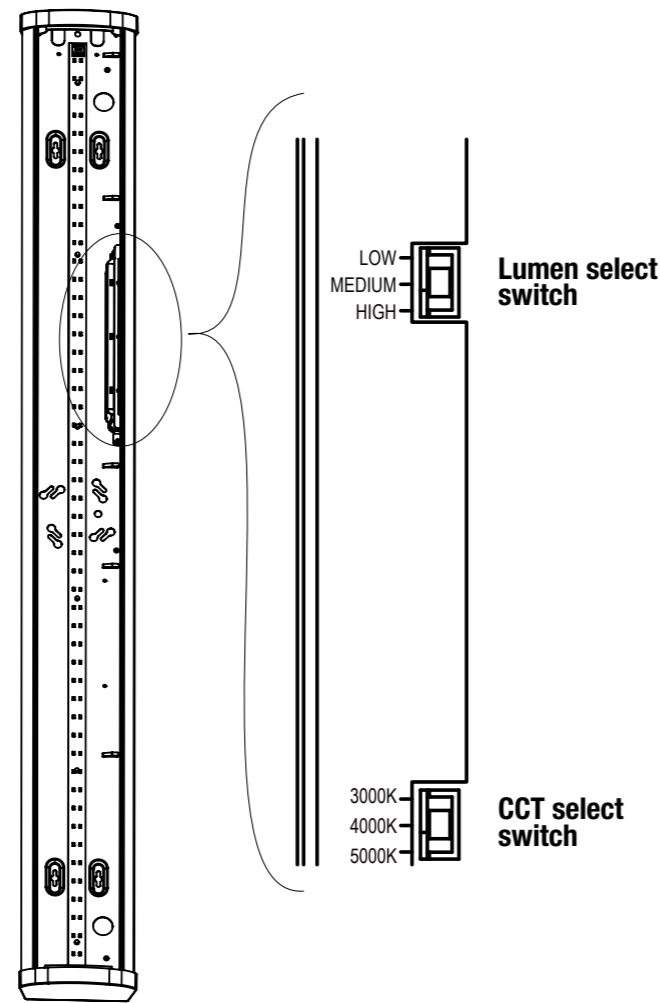


Installation Instructions



INSTRUCTIONS FOR SELECTING CCT & LUMEN (Only for CCT and Lumen select options)

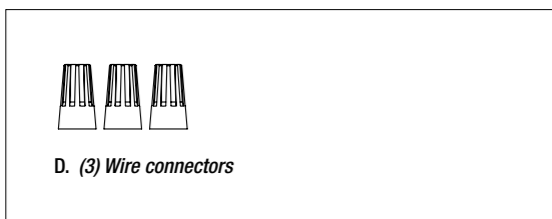
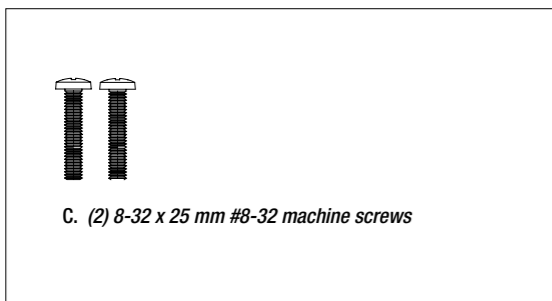
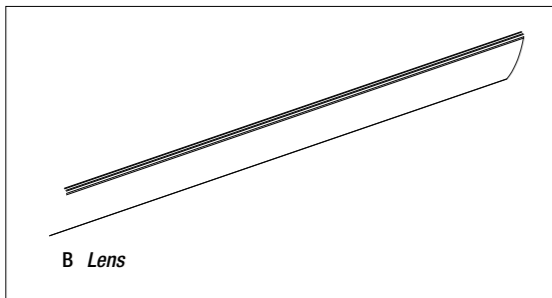
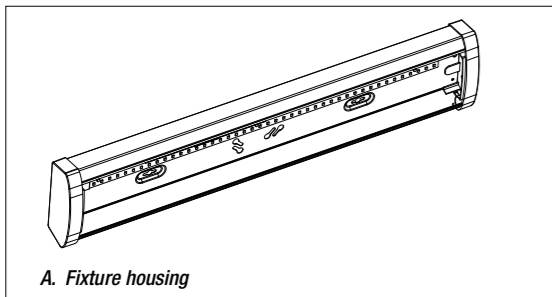
- Two slide switches are located on the driver enclosure: one for CCT and the other for lumen. **CCT and lumen options must be selected before installation.**
- To select the CCT, slide the first switch to the desired LED color temperature (3000K, 4000K, 5000K CCT).
- To select the lumen, slide the second switch to the desired lumen



This device complies with Part 15 of the FCC Rules. Operation is subject to the following two conditions: (1) this device may not cause harmful interference and (2) this device must accept any interference received, including interference that may cause undesired operation.

5-YEAR LIMITED WARRANTY

PACKAGING CONTENTS



ENGLISH

ITEMS REQUIRED

- (Purchase separately)
- Phillips screwdriver
 - Flat head screwdriver
 - Pliers
 - Safety glasses
 - Ladder
 - Hammer



Note: This product is not intended for continuous row applications. Suspension kits sold separately.

WARNINGS AND CAUTIONS

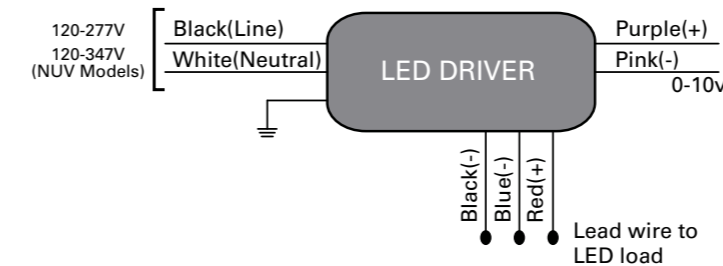
- Risk of Fire, Electrical Shock, Cuts or other Casualty Hazards:** Installation and maintenance of this product must be performed by a qualified electrician. This product must be installed in accordance with the applicable installation code by a person familiar with the construction and operation of the product and hazards involved. The light source contained in this luminaire shall only be replaced by the manufacturer or his service agent or a similar qualified person.
- Risk of Fire and Electric Shock:** Make certain power is OFF before starting installation or attempting any maintenance. Disconnect power at fuse or circuit breaker.
- Risk of Fire:** Minimum 90°C supply conductors.
- Risk of Burn:** Disconnect power and allow fixture to cool before handling or servicing.
- Risk of Personal Injury:** Due to sharp edges, handle with care.
- Failure to comply with these instructions may result in death, serious bodily injury and property damage.**

DISCLAIMER OF LIABILITY: assumes no liability for damages or losses of any kind that may arise from the improper, careless, or negligent installation, handling or use of this product.
IMPORTANT: Read carefully before installing fixture. Retain for future reference.
NOTICE: Ground screw provided in proper location. Do not relocate.
NOTICE: Fixture may become damaged and/or unstable if not installed properly.
Note: Specifications and dimensions subject to change without notice.

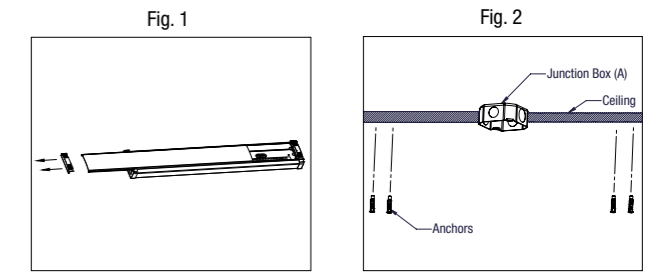
ATTENTION Receiving Department: Note actual fixture description of any shortage or noticeable damage on delivery receipt. File claim for common carrier (LTL) directly with carrier. Claims for concealed damage must be filed within 15 days of delivery. All damaged material, complete with original packing must be retained.

Note: This equipment has been tested and found to comply with the limits for a Class B digital device, pursuant to part 15 of the FCC Rules. These limits are designed to provide reasonable protection against harmful interference when the equipment is operated in a commercial environment. This equipment generates, uses, and can radiate radio frequency energy and, if not installed and used in accordance with the instruction manual, may cause harmful interference to radio communications. Operation of this equipment in a residential area is likely to cause harmful interference in which case the user will be required to correct the interference at his own expense.

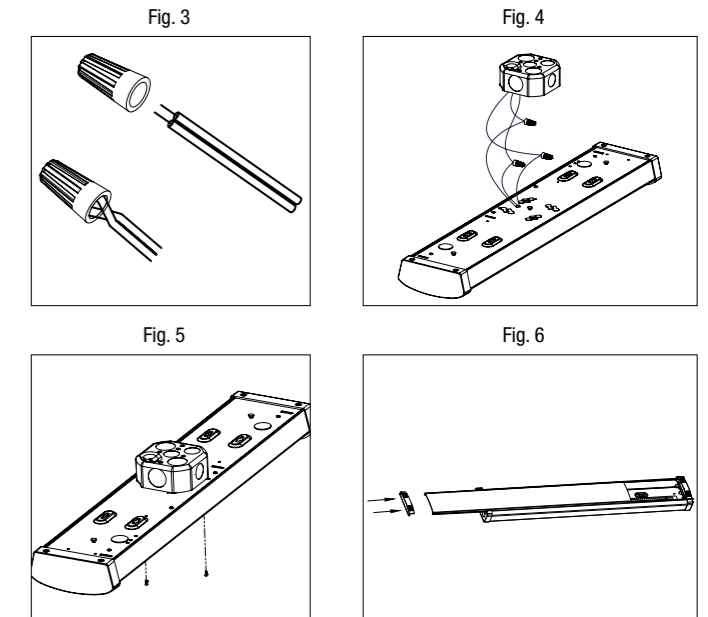
WIRING DIAGRAM



INSTALLATION INSTRUCTIONS



- Turn off power at main fuse/breaker box. Carefully open carton, remove fixture from carton.
- Remove lens using a flat head screwdriver inserted along edge of fixture. Push up on screwdriver to release lens from fixture housing. (Fig. 1)
- Determine if you wish to mount the luminaire onto the J-box or mount the fixture directly to the surface or wall. If mounting luminaire to the J-box, go to step 8.
- Using the luminaire as a template, place fixture over the J-box and mark each surface mount hole position in the ceiling (Fig. 2). Set aside the luminaire in a safe place. Drill a hole over each marked hole position. Insert anchor bolt (not included) into each hole. For proper hole size, refer to anchor bolt instruction.
- Screw the four mounting screws into each anchor bolt.
- Locate wires in J-box. Connect all fixture wires to power supply wires: White to white, black to black, and green to green with wire nuts (Fig. 3). See wiring diagram for reference.
- After making all wire connections, push all wires and wire nuts inside J-box (Fig. 4). Install luminaire onto mounting screws by inserting screws through fixture key slots. Once secure, tighten screws.
Note: Be sure no electrical wires are pinched between surface and luminaire. If so, loosen screws and readjust wiring.
- If mounting luminaire directly onto J-box, make Connections as per step 6 and align fixture mounting slots with J-Box mounting holes. Use mounting screws (C) to secure fixture to J-Box (Fig. 5).
Note: Ensure that once installed to J-Box, no visible gaps appear between ceiling surface, J-box and luminaire housing
- Attach lens by aligning lens groove with edge of channel. Insert one side of lens then press opposite side of lens until it snaps into place. Ensure lens groove is secured along entire length of the lens on both sides (Fig. 6). Remove protective film from lens.
- Turn breaker back on to verify light fixture turns on and lumen output (brightness) and LED CCT color temperature is acceptable. If circuit is attached to a switch, be sure to turn on switch to energize fixture. (See page 1)



DIMMING INSTALLATION INSTRUCTIONS

- For a fixture containing (1) 120-347V Driver.
- Combine the positive lead from the dimmer with the positive lead (purple) connected to the dimming port (DIM +) of the driver.
 - Combine the negative lead from the dimmer with the negative lead (pink) connected to the dimming port (DIM -) of the driver.

- For the 0-10V dimming switch.
- Wire per 0-10V manufacturer's dimmer instructions. See www.cooperlighting.com for a listing of dimmers that are compatible with the NWS Wrap series product.

SUSPENSION INSTRUCTIONS

- Product can be suspended. For a list of manufacturer suspension options that are compatible with the NWS Wrap series product visit www.cooperlighting.com.