



# Linear High Bay Pendant Mount for ILH Units

## PROJECT INFORMATION

JOB NAME	
FIXTURE TYPE	Pendant Mount for ILH Units
CATALOG NUMBER	
APPROVED BY	

## SPECIFICATIONS

### Construction:

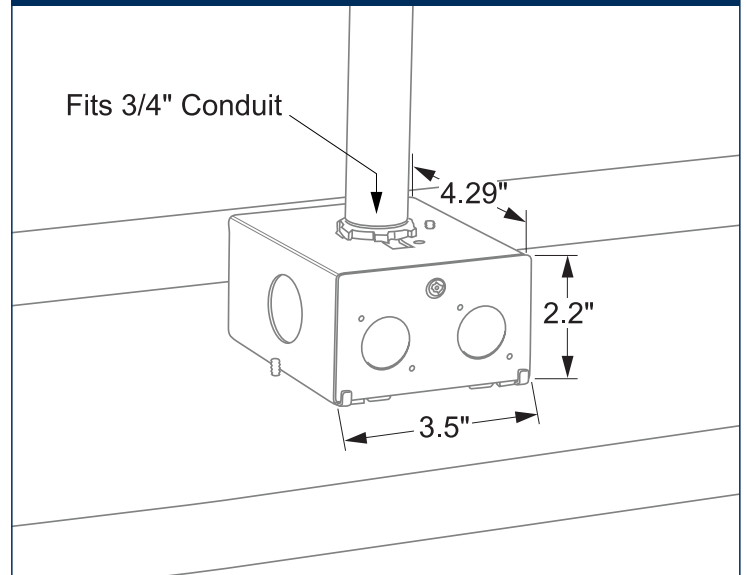
- Pre-drilled holes in fixture housing
- Accepts 3/4" Rigid Conduit
- Single Point Mounting

### Specifications:

- Height: 2.2" (5.588 cm)
- Width: 3.5" (8.89 cm)
- Depth: 4.29" (10.8966 cm)



## DIMENSIONS



## ORDERING INFORMATION

CATALOG #	DESCRIPTION	STD. PKG.
PMK	Pendant Mount Kit for ILH Units	1